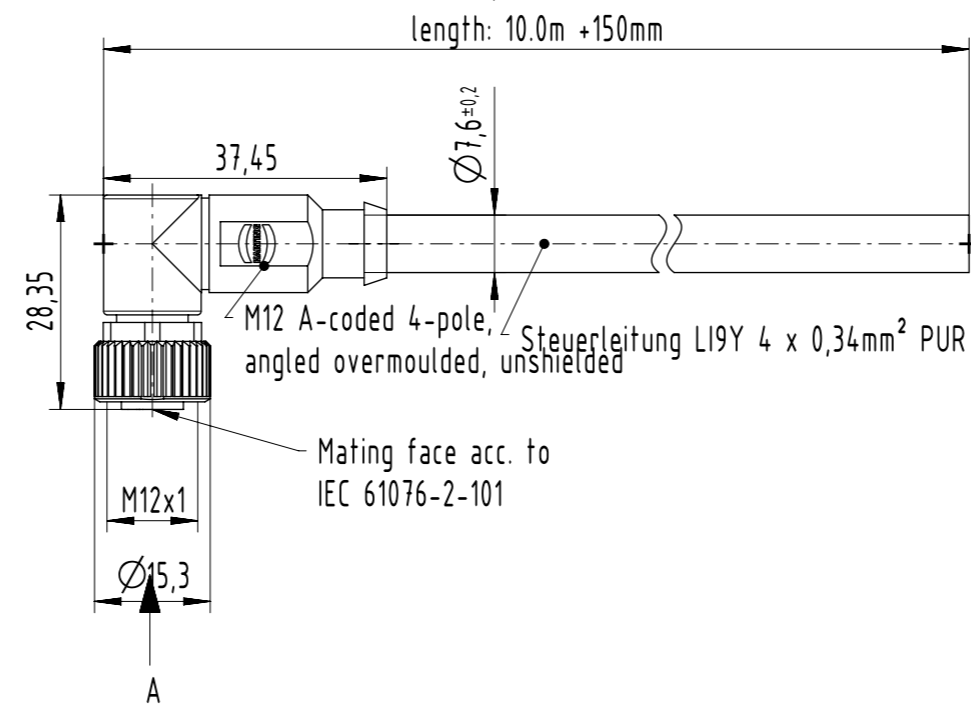


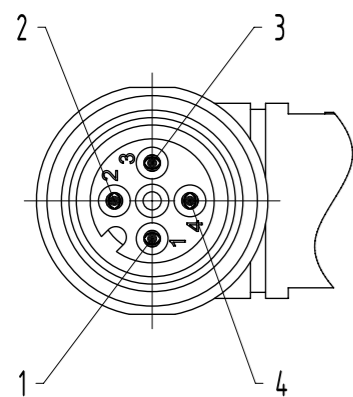
Connector Location A

Connector Location B

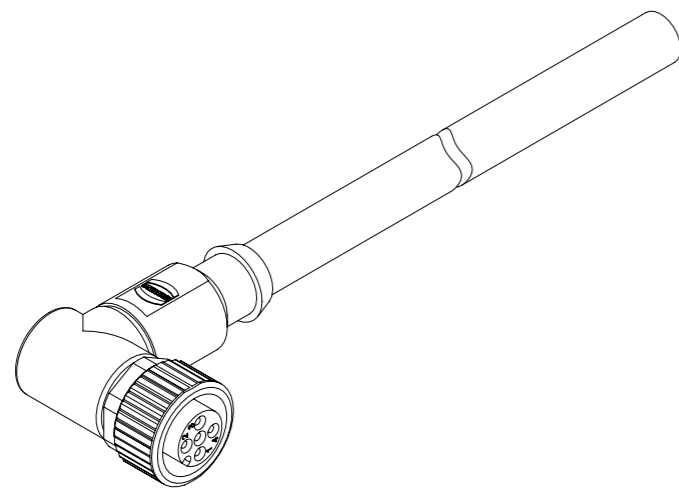


A female

Loading-Plan



- 1 brown
- 2 white
- 3 blue
- 4 black



- Protection level: IP65/67
- Temperature range: -40°C ... +85°C

	All rights reserved		Created by		Inspected by		Standardisation		Date		State		
	Department HCS - DE								2023-09-22		Final Release		
HARTING Customised Solutions		Title M12 A-cod 4-pol an /- f /- PUR 10.00m (Config ID: ZX0Q)										Doc-Key / ECM-Nr.	
D-32339 Espelkamp		Type TB		Number C21320000000005						Rev.		Page 1/1	