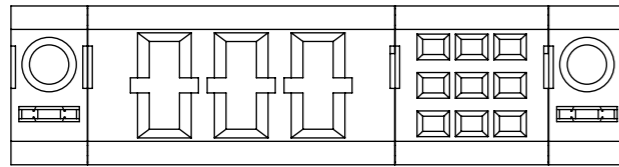


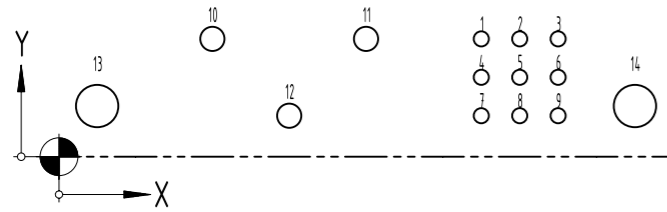
missing dimensions can be found on the individual TB

module 4	P Module	02 52 900 0002	---	2x 02 09 500 1008
module 3	H3 Module	02 52 903 1301	1,2,3	
module 2	C9 Module	02 52 909 1101	a+b+c 1,2,3	
module 1	P Module	02 52 900 0002	---	
module number	module name	part number	contact loading	part number fixing rail

All rights reserved Department EL PD HARTING Electric GmbH & Co.KG D-32339 Espelkamp	All Dimensions in mm Original Size DIN A3	Scale 1:1 Free size tol.	Ref. Sub.
	Created by Inspected by Standardisation Date 2024-03-14 State Prelim. Distrib.	Title har-modular female str. pre-ass L40,64 (Config ID: 21L4) Type TB-SK Number C02520000000012	Doc-Key / ECM-Nr. DRAFT Rev. Page 1/3



A
board drillings

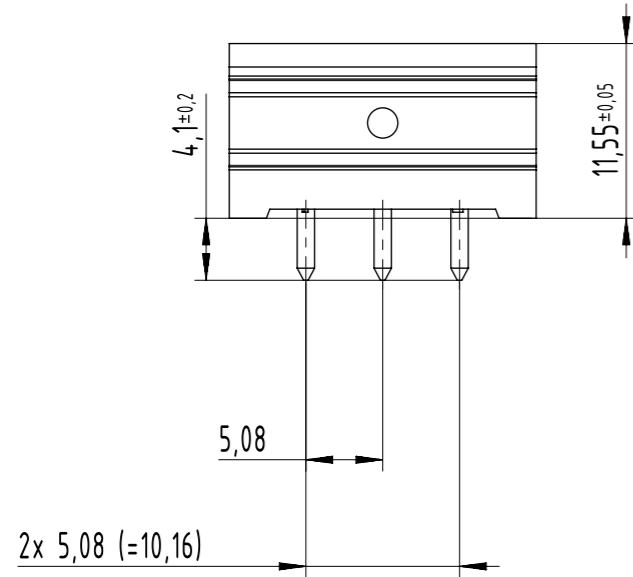


HOLE TABLE: BOARD DRILLINGS			
HOLE NO.	X	Y	DIAMETER
1	27.92	7.79	1.00 ±0.1 ⊕ 0.05
2	30.46	7.79	
3	33.00	7.79	
4	27.92	5.25	
5	30.46	5.25	
6	33.00	5.25	
7	27.92	2.71	
8	30.46	2.71	
9	33.00	2.71	
10	10.14	7.79	1.60 ±0.1
11	20.30	7.79	⊕ 0.05
12	15.22	2.71	
13	2.52	3.35	2.80 +0.1 ⊕ 0.05

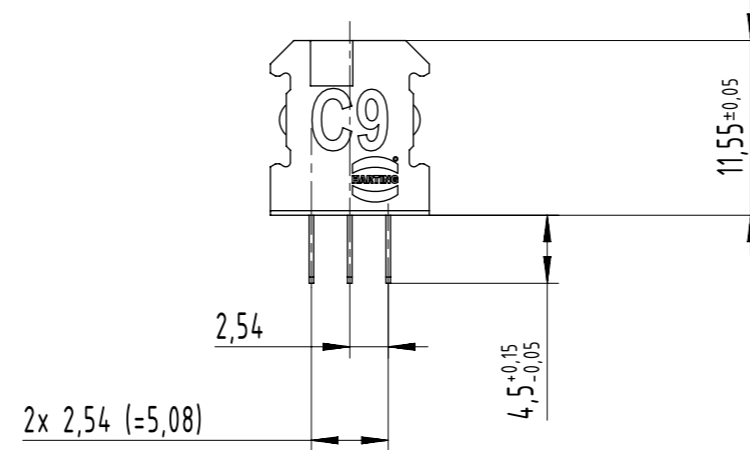
14	38.08	3.35
----	-------	------

	All rights reserved Department EL PD HARTING Electric GmbH & Co.KG D-32339 Espelkamp	All Dimensions in mm Original Size DIN A3	Scale 1:1	Free size tol.	Ref. Sub.
		Created by	Inspected by	Standardisation	Date 2024-03-14
Title har-modular female str. pre-ass L40,64 (Config ID: 21L4)					Doc-Key / ECM-Nr. DRAFT
Type TB-SK		Number C02520000000012			Rev. Page 2/3

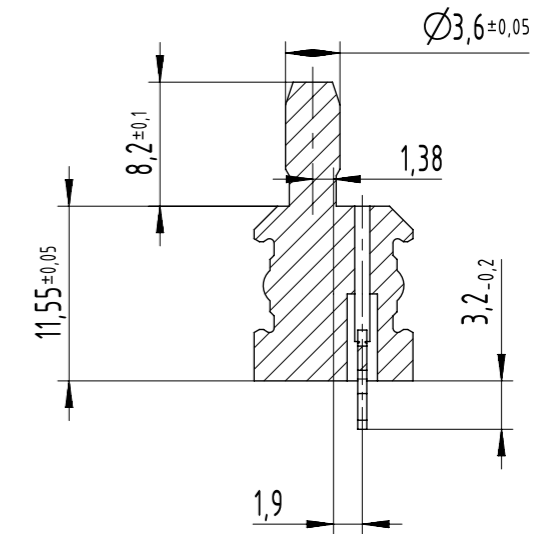
view shows only H3
module 02529031301




view shows only C9
module 02529091101



view shows only P
module 02529000002



	All rights reserved		Created by		Inspected by		Standardisation		Date		State		
	Department EL PD								2024-03-14		Prelim. Distrib.		
HARTING Electric GmbH & Co.KG		Title har-modular female str. pre-ass L40,64 (Config ID: 21L4)										Doc-Key / ECM-Nr.	
D-32339 Espelkamp		Type TB-SK		Number C02520000000012						Rev.		Page 3/3	