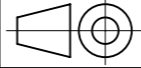

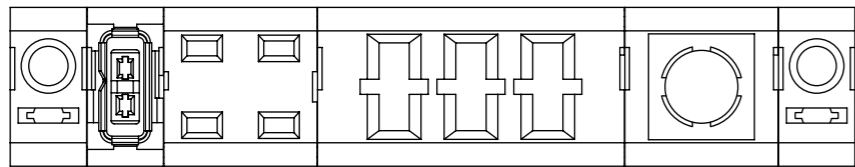
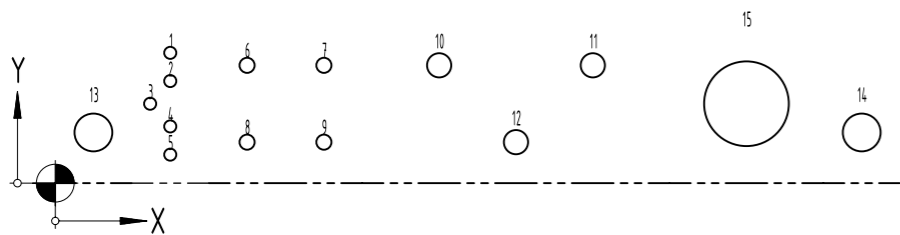


missing dimensions can be found on the individual TB

module 6	P Module	02 52 900 0001	---	2x 02 09 500 1011	 All Dimensions in mm Original Size DIN A3	Scale	Free size tol.	Ref.				
module 5	D2 Module	02 52 902 1501	r+t 1			1:1	Sub.					
module 4	F4 Module	02 52 904 1201	a+c 1,3			 All rights reserved Department EL PD	Created by	Inspected by	Standardisation	Date	State	
module 3	H3 Module	02 52 903 1301	1,2,3				Title			2024-03-14	Prelim. Distrib.	
module 2	M1 Module	02 52 901 0401	---			HARTING Electric GmbH & Co.KG D-32339 Espelkamp	har-modular female str. pre-ass L55,88 (Config ID: A9S0)				Doc-Key / ECM-Nr.	
module 1	P Module	02 52 900 0001	---				Type	Number	C02520000000011		DRAFT	Page
module number	module name	part number	contact loading	part number fixing rail		TB-SK			Rev.	1/4		



A
board drillings

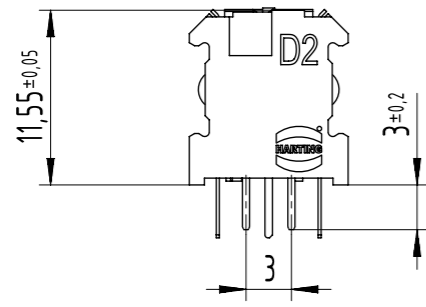


HOLE TABLE: BOARD DRILLINGS			
HOLE NO.	X	Y	DIAMETER
1	7.60	8.62	0.80
2	7.60	6.75	
3	6.28	5.25	
4	7.60	3.75	
5	7.60	1.88	
6	12.68	7.79	1.00 ±0.1
7	17.76	7.79	⌀ 0.05
8	12.68	2.71	
9	17.76	2.71	
10	25.38	7.79	1.60 ±0.1
11	35.54	7.79	⌀ 0.05
12	30.46	2.71	

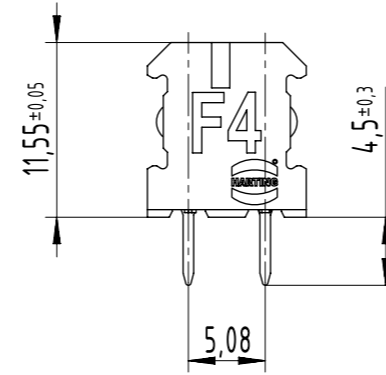
13	2.52	3.35	2.50 ±0.1
14	53.32	3.35	⌀ 0.05
15	45.70	5.25	5.60

	All rights reserved		Scale 1:1		Free size tol.		Ref.	
	Department EL PD		Created by	Inspected by	Standardisation	Date 2024-03-14	State Prelim. Distrib.	
HARTING Electric GmbH & Co.KG		Title har-modular female str. pre-ass L55,88 (Config ID: A9S0)					Doc-Key / ECM-Nr. DRAFT	
D-32339 Espelkamp		Type TB-SK	Number C02520000000011			Rev.	Page 2/4	

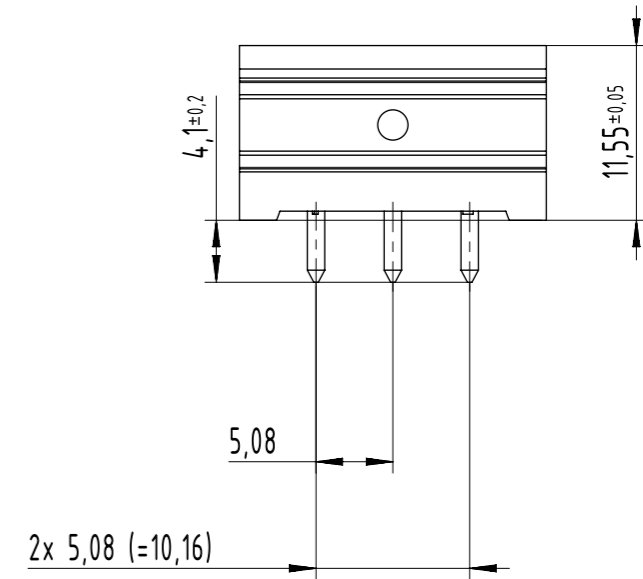
view shows only D2
module 02529021501



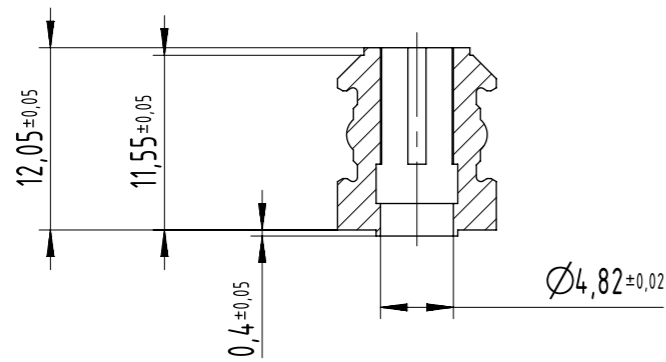
view shows only F4
module 02529041201



view shows only H3
module 02529031301

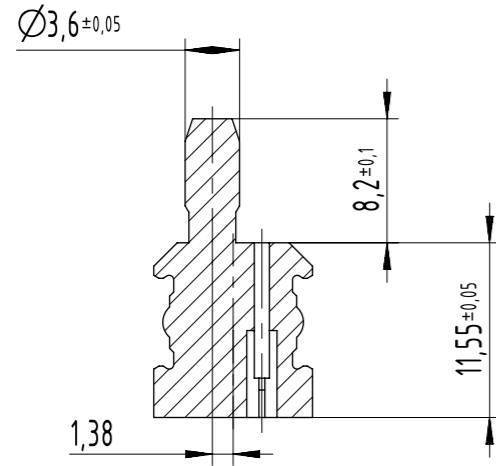



view shows only M1
module 02529010401



	All rights reserved		Scale 1:1		Free size tol.		Ref.	
	Department EL PD		Created by	Inspected by	Standardisation	Date 2024-03-14	State Prelim. Distrib.	
HARTING Electric GmbH & Co.KG		Title har-modular female str. pre-ass L55,88 (Config ID: A9S0)					Doc-Key / ECM-Nr.	
D-32339 Espelkamp		Type TB-SK	Number C02520000000011			Rev.	Page 3/4	

view shows only P
module 02529000001



	All rights reserved		Created by		Inspected by		Standardisation		Date		State		
	Department EL PD								2024-03-14		Prelim. Distrib.		
HARTING Electric GmbH & Co.KG		Title har-modular female str. pre-ass L55,88 (Config ID: A9S0)										Doc-Key / ECM-Nr.	
D-32339 Espelkamp		Type TB-SK		Number C02520000000011						Rev.		Page 4/4	