

CORNING

Centrix™ System Housing and MTP® Module Installation

P/N 003-1011-AEN
Issue 2

related literature | Search www.corning.com/opcomm. Click on “Resources.”

003-948 Instruction, Centrix™ System Housing Installation

003-949 Instruction, Centrix™ System Pigtailed Housing with Pigtailed Cassette Installation

Table of Contents

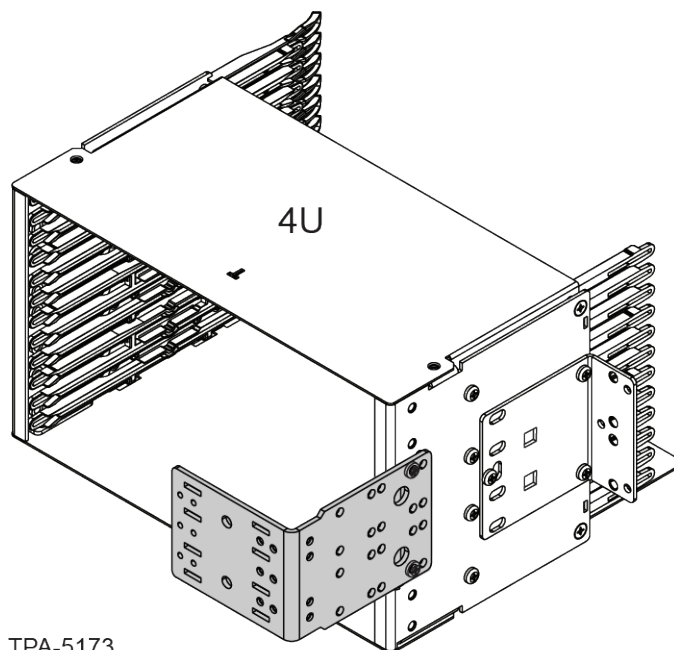
1.	General.....	1
2.	Housing and Module Installation into Rear Cable Access Centrix™ System Frame.....	1
3.	Housing and Module Installation into Front Cable Access Centrix™ System Frame.....	4
4.	Housing Installation into a 19-in Frame.....	6
5.	Housing Installation into a 23-in Frame.....	7
6.	MTP® Module Installation into a 19- or 23-in Frame.....	7
6.1	Rear Cable Access Centrix System MTP Module.....	7
6.2	Front Cable Access Centrix™ System MTP® Module.....	8

1. General

This document describes installation of the Centrix™ System MTP® module into Centrix System housings in Centrix System frames, as well as installation into Centrix System housings in standard 19- or 23-in frames. The 4U housing is shown in this instruction, but the procedure applies to Centrix System housings of all sizes.

2. Housing and Module Installation into Rear Cable Access Centrix™ System Frame

Step 1: Attach the bracket kit to the rear of the housing as shown in [Figure 1](#).



TPA-5173

Figure 1

Step 2: Install the housing into the rear cable access frame (Figure 2) as described in SRP 003-948.

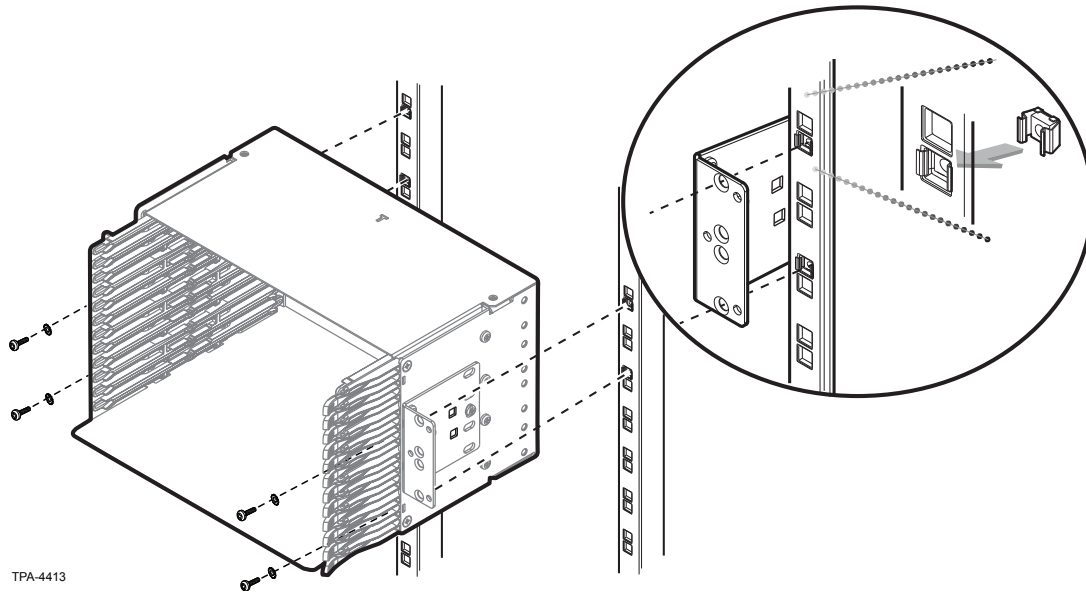


Figure 2

Step 3: Insert rear cable access module into the housing, starting at the top of the housing.

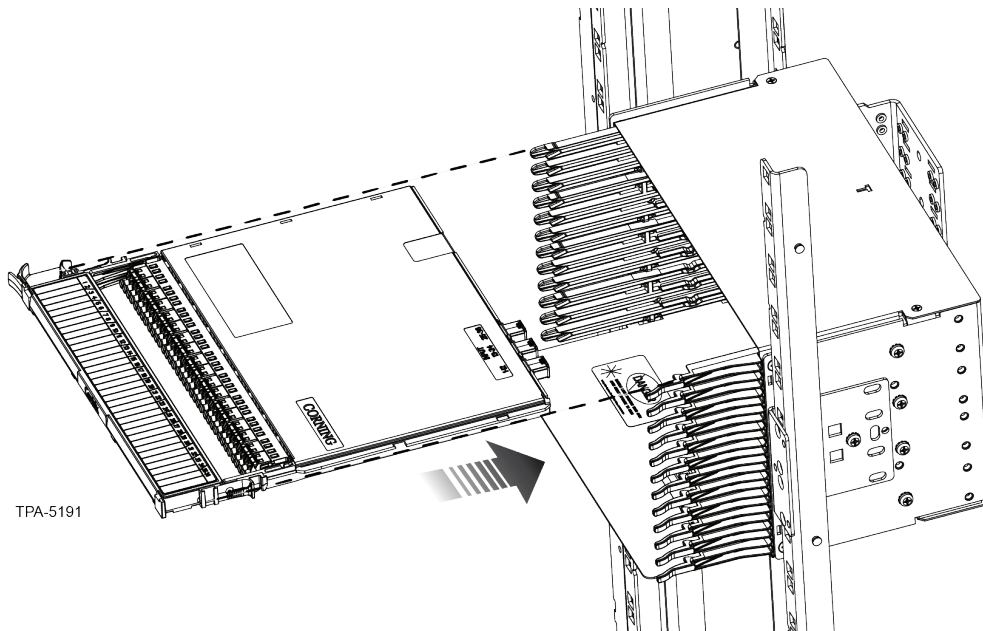


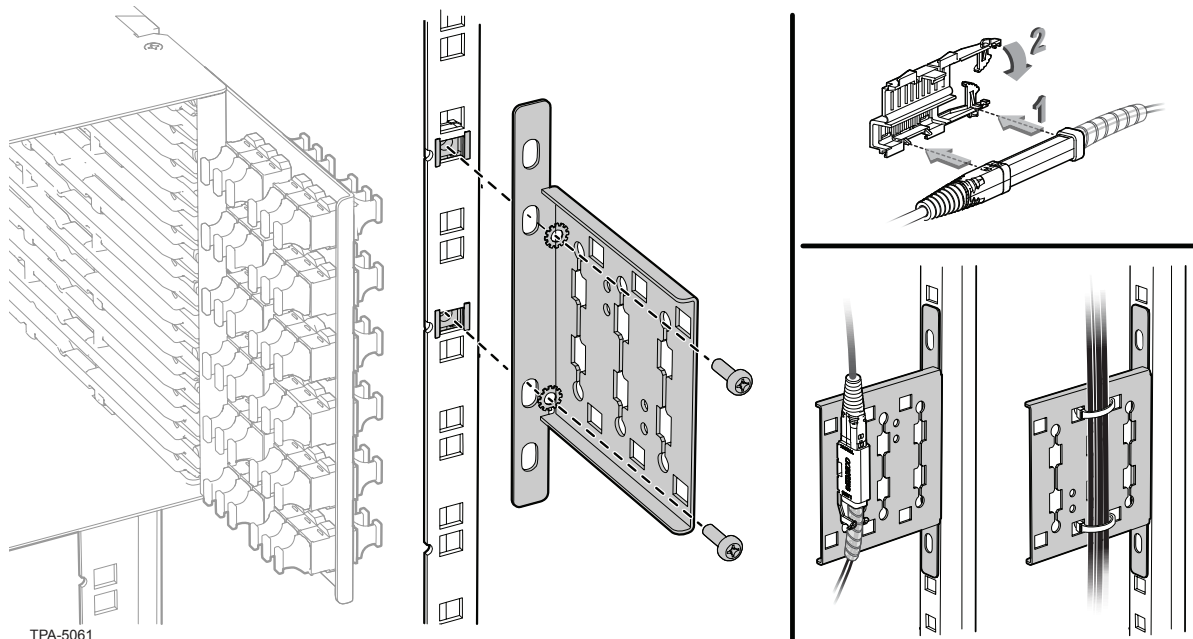
Figure 3

Step 4: Continue loading modules until the housing is full.

Step 5: Attach the strain-relief bracket to the frame (Figure 4).

Step 6: If using a furcated cable with multiple MTP® connectors, insert the furcation body of the cable into a cradle and slide the cradle onto the strain-relief bracket.

If using individual cables with MTP connectors, secure several cables in a bundle to the strain-relief bracket with cable ties.

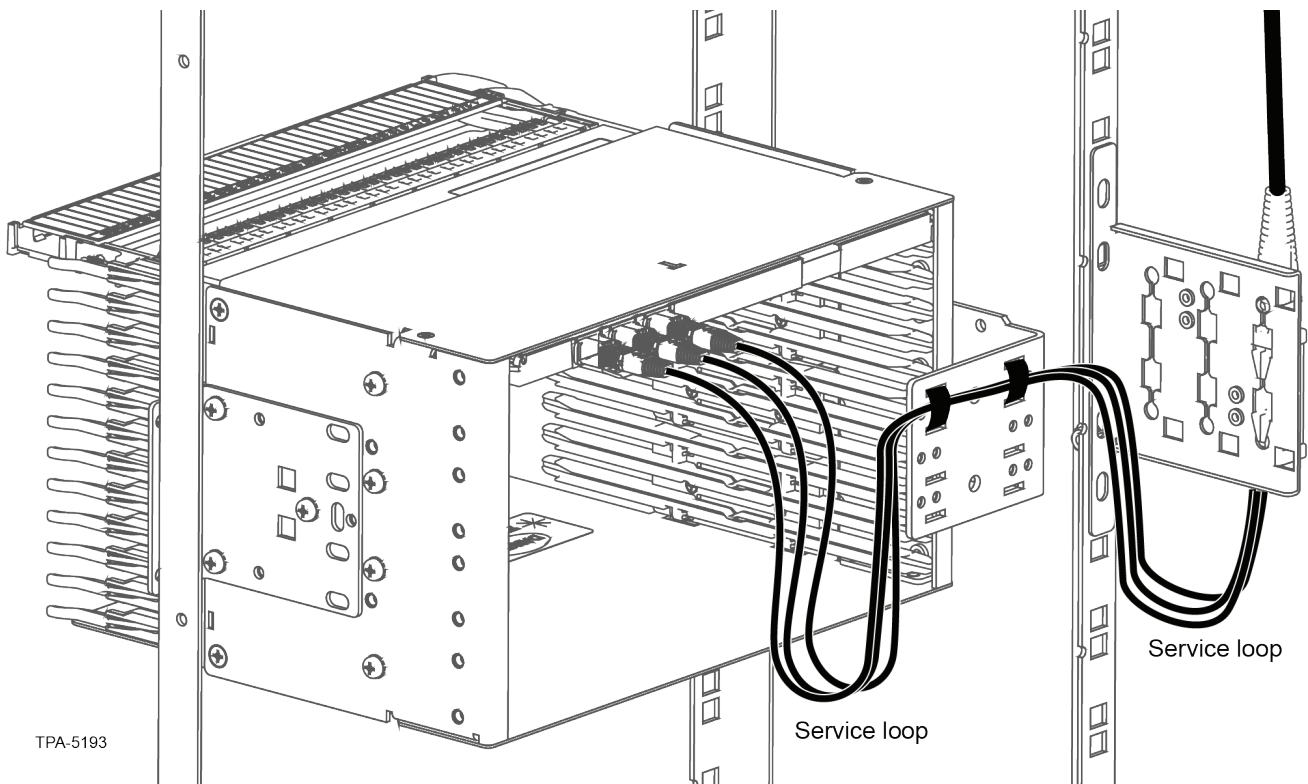


TPA-5061

Figure 4

Step 7: Attach trunk legs or MTP pigtails to the strain-relief plate on the rear of the housing with 1/4 by 2-in hook-and-loop straps.

Step 8: Lower shutters on the MTP adapters and remove dust caps from the MTP connectors. Clean using standard company practices. Mate connectors in adapters.



TPA-5193

Figure 5

Step 9: Route and dress the fiber with the service loop as shown to provide slack to allow the module to be extracted to the detent position.

3. Housing and Module Installation into Front Cable Access Centrix™ System Frame

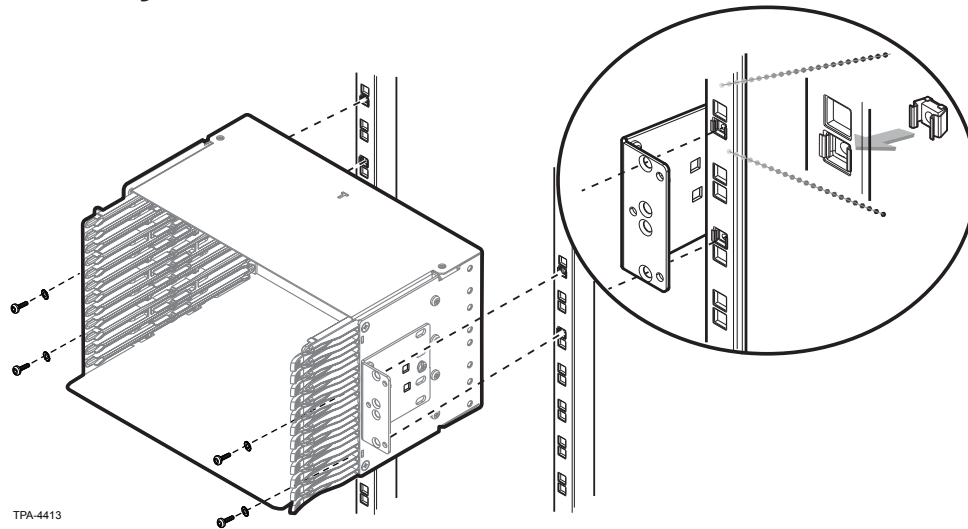


Figure 6

- Step 1:** Position the housing for installation into the front cable access frame (Figure 6) as described in SRP 003-948. Secure the housing to the frame using the screws and cage nuts provided.
- Step 2:** Insert front cable access modules into the housing, starting at the top of the housing (Figure 7).
- Step 3:** Continue loading modules until the housing is full.

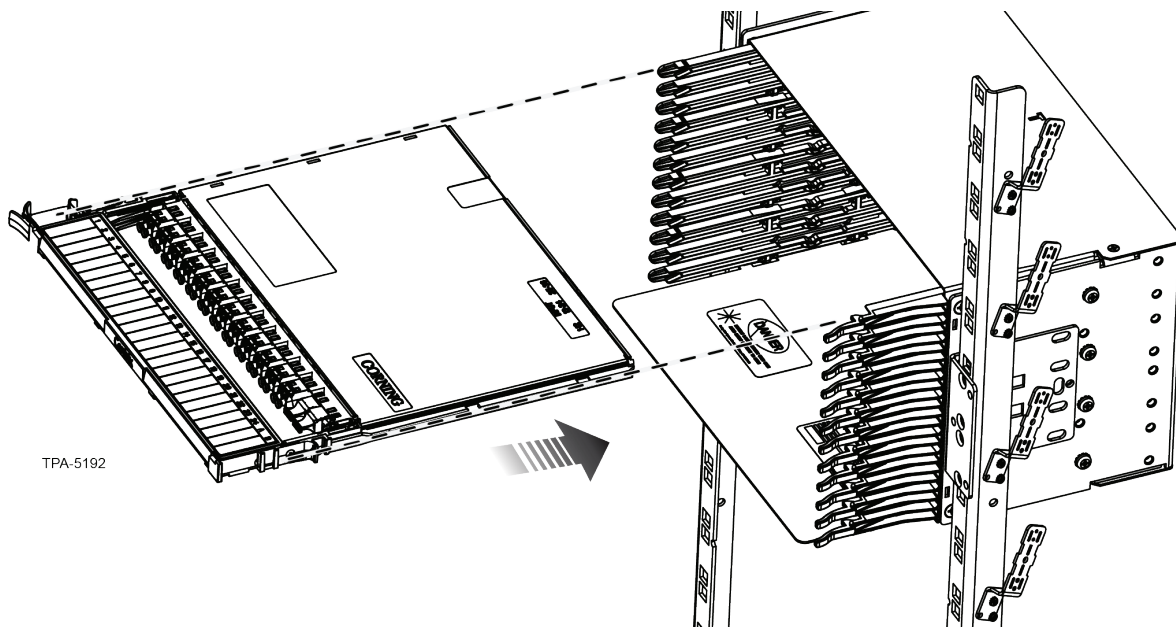


Figure 7

Step 4: Slide the desired module out of the housing.

Step 5: Open the module drop handle to access the MTP® adapters (Figure 8).

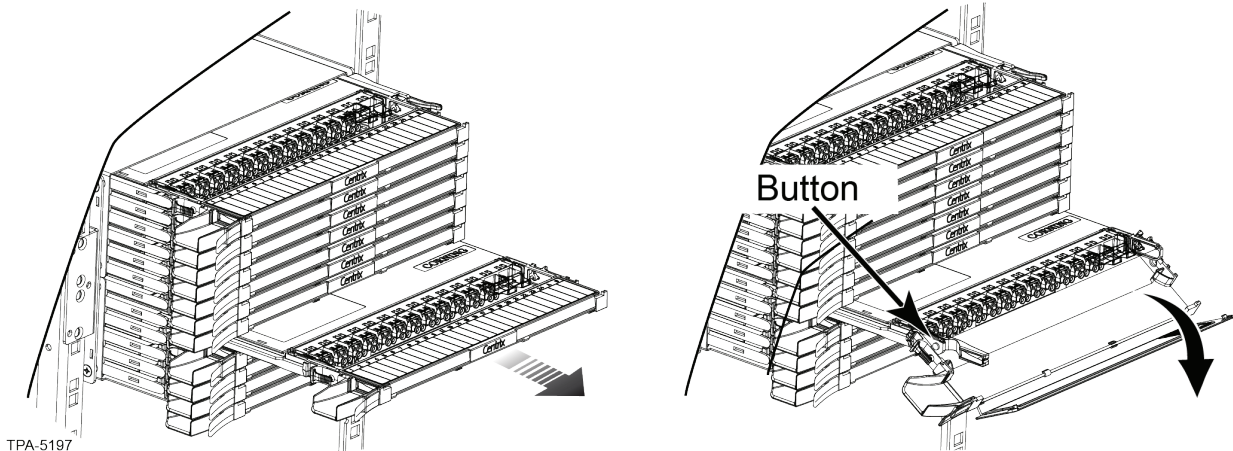


Figure 8

Step 6: Remove the dust caps from the adapters and MTP connectorized harness or jumper. Clean per standard company practices.

Step 7: Mate connectors into the adapters (Figure 9).

Step 8: Route harnesses or jumpers out the left side of the housing through the waterfall to the Centrix™ System slack storage hubs or to remote equipment per your installation plan.

Step 9: Close cover and slide module back into the housing.

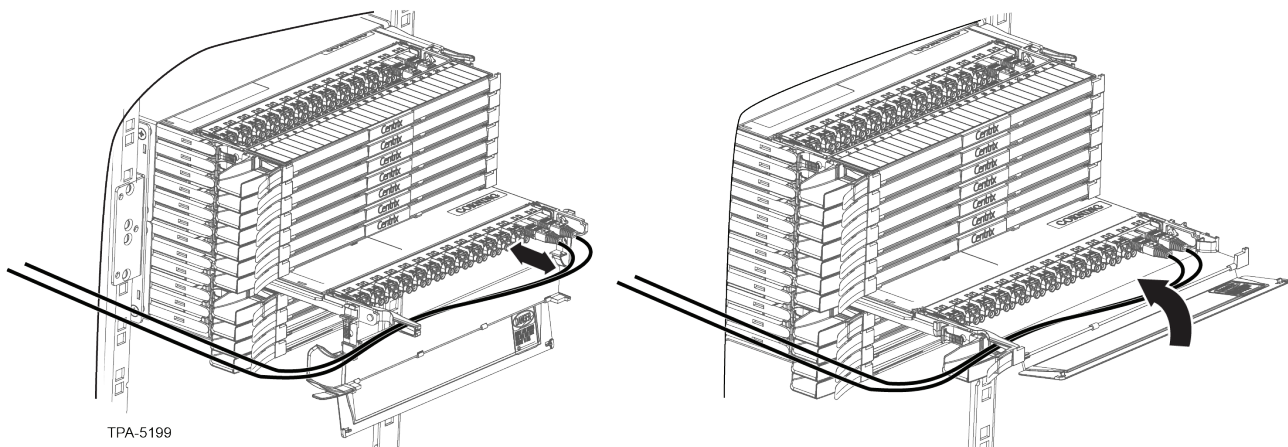
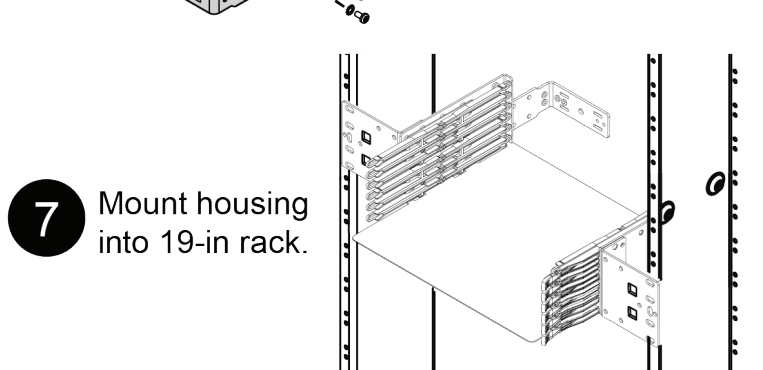
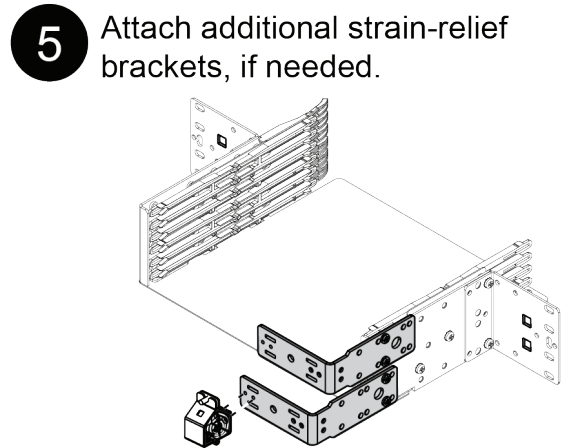
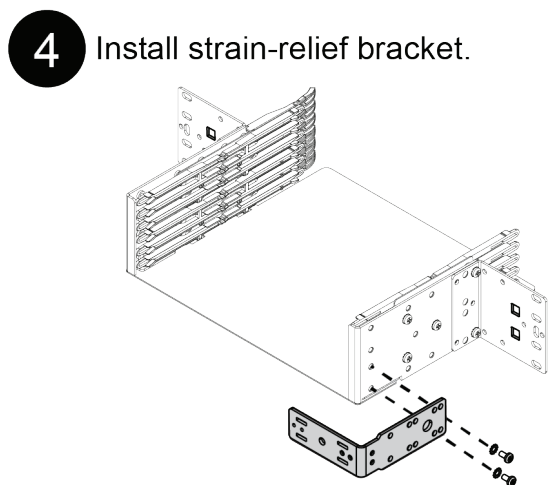
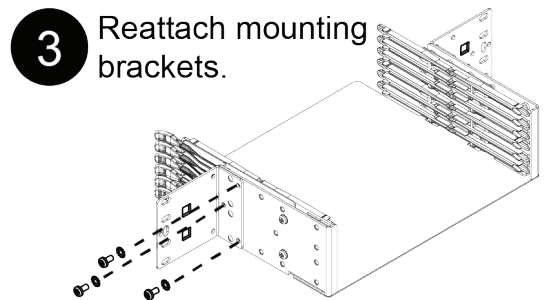
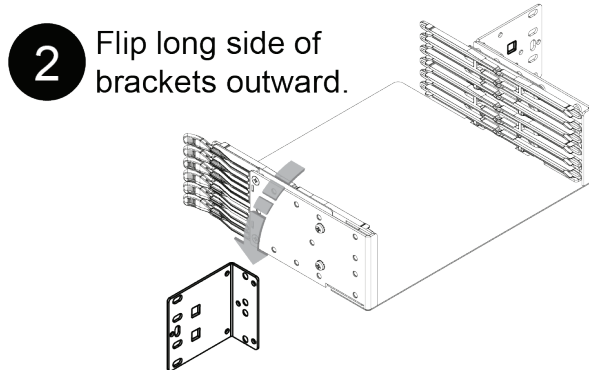
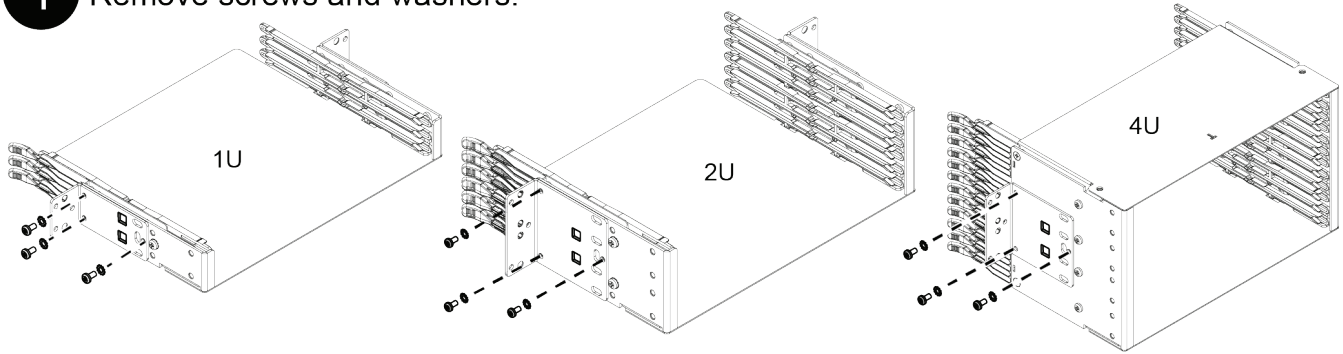


Figure 9

4. Housing Installation into a 19-in Frame

1 Remove screws and washers.



6
(Optional) If needed, install universal cable clamp (purchased separately).

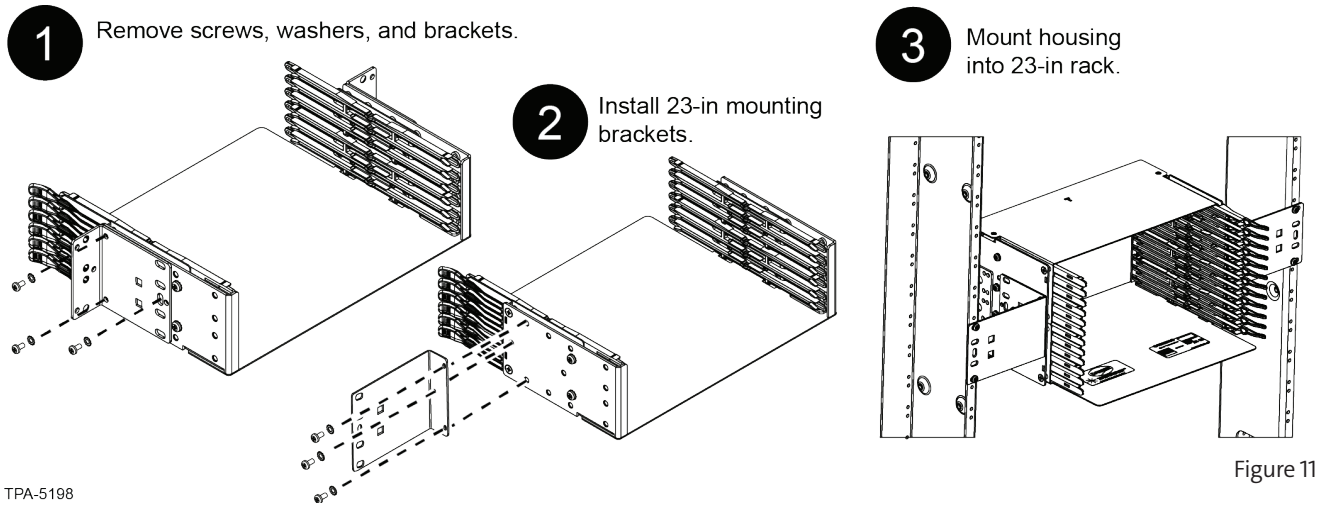
TPA-4648

Figure 10

5. Housing Installation into a 23-in Frame

Mounting brackets for installing a Centrix housing into a 23-in frame are ordered separately:

- 1U housing mounting brackets, CTX-KIT-S1U-23
- 2U or 4U housing mounting brackets, CTX-KIT-S2U-23

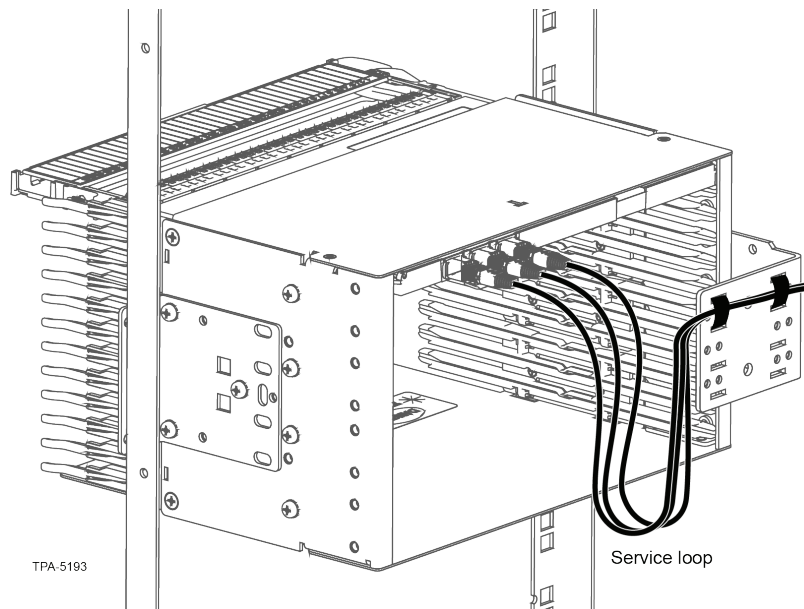


6. MTP® Module Installation into a 19- or 23-in Frame

6.1 Rear Cable Access Centrix System MTP Module

Step 1: Route and strain-relieve incoming MTP®-connectorized cables per standard company practices.

Step 2: For rear cable access modules (Figure 12), lower shutters on the MTP adapters and remove dust caps from the MTP connectors. Clean adapters and connectors using standard company practices. Mate connectors in adapters.



6.2 Front Cable Access Centrix™ System MTP® Module

Step 1: For front cable access modules, slide the desired module out of the housing.

Step 2: If jumpers will route out the right side, install the right-hand jumper routing waterfall (P/N CTX-KIT-RT-DH) on the right side of each module.

Step 3: Open module drop handle to access the MTP adapters (Figure 13).

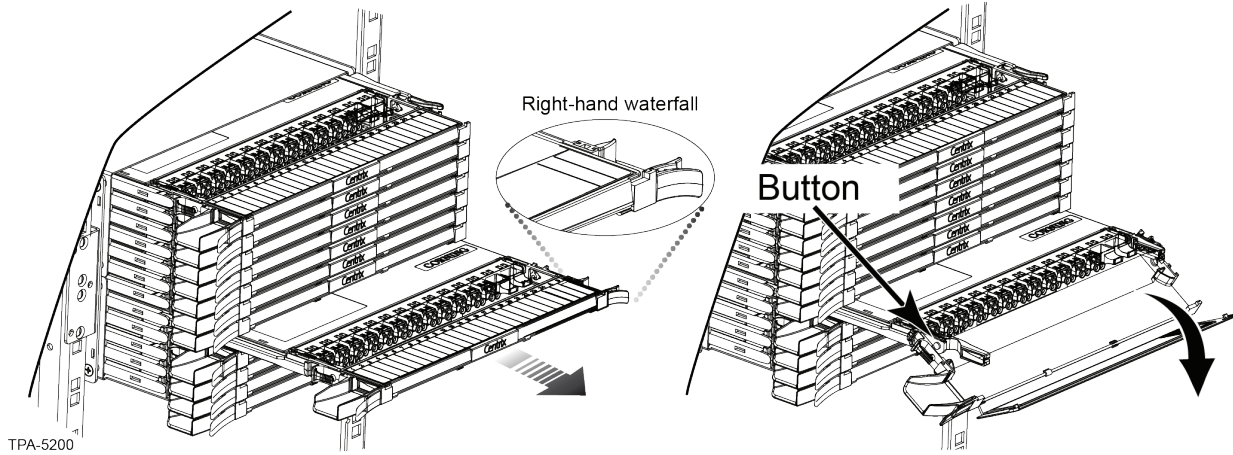


Figure 13

Step 4: Remove the dust caps from the adapters and MTP connectorized harness or jumper. Clean per standard company practices.

Step 5: Mate connectors into the adapters (Figure 14).

Step 6: Route harnesses or jumpers out either side of the housing through the waterfalls to slack storage locations or remote equipment per your installation plan.

Step 7: Close cover and slide module back into the housing.

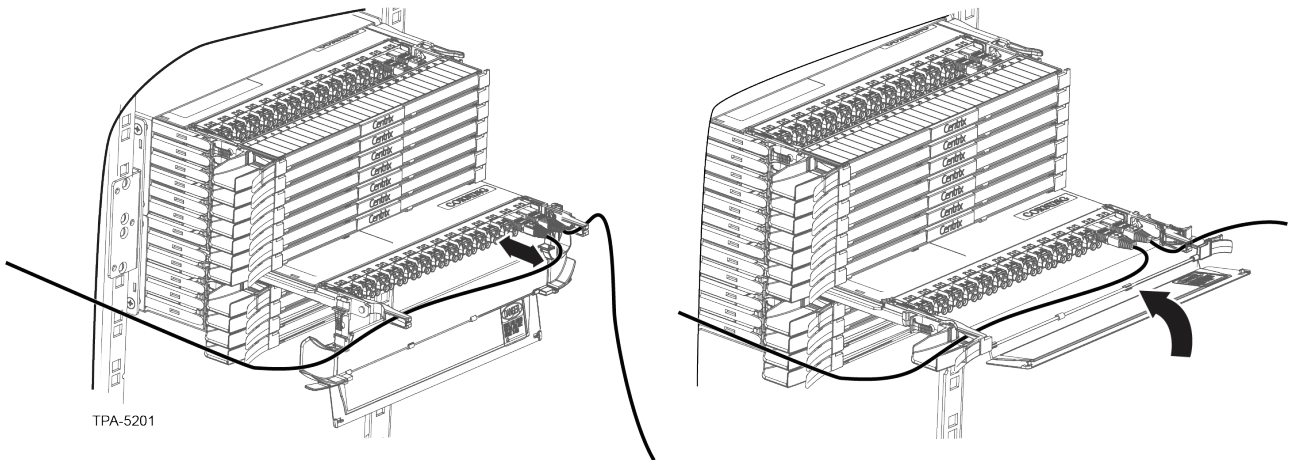


Figure 14