

CORNING

Centrix™ System Housing Installation

P/N 003-948
Issue 4

related literature | Search www.corning.com/opcomm. Click on “Resources.”

003-949	Centrix System Pigtailed Housing with Pigtailed Cassette Installation
003-950	Centrix System Frame Installation
003-951	Centrix System Stubbed Housing Installation
003-959	Centrix System Pigtailed Cassette installation with WDMs and PON Devices
003-960	Centrix System Jumper Routing Guidelines
003-961	Centrix System Accessories Installation

1. Carton Contents

- Centrix™ System housing
- Mounting hardware
- Strain-relief bracket

2. Tools and Materials Required

- Phillips screwdriver
- (Optional) Universal cable clamp (UCC) (UCC-001)
- (Optional) Additional strain-relief bracket with UCC (CTX-KIT-SR-SA-UCC)

3. Installation

3.1 Attach Strain-relief Hardware for Rear Cable Access

One strain-relief bracket is included with each housing. If additional strain-relief brackets are needed, order CTX-KIT-SR-SA-UCC.

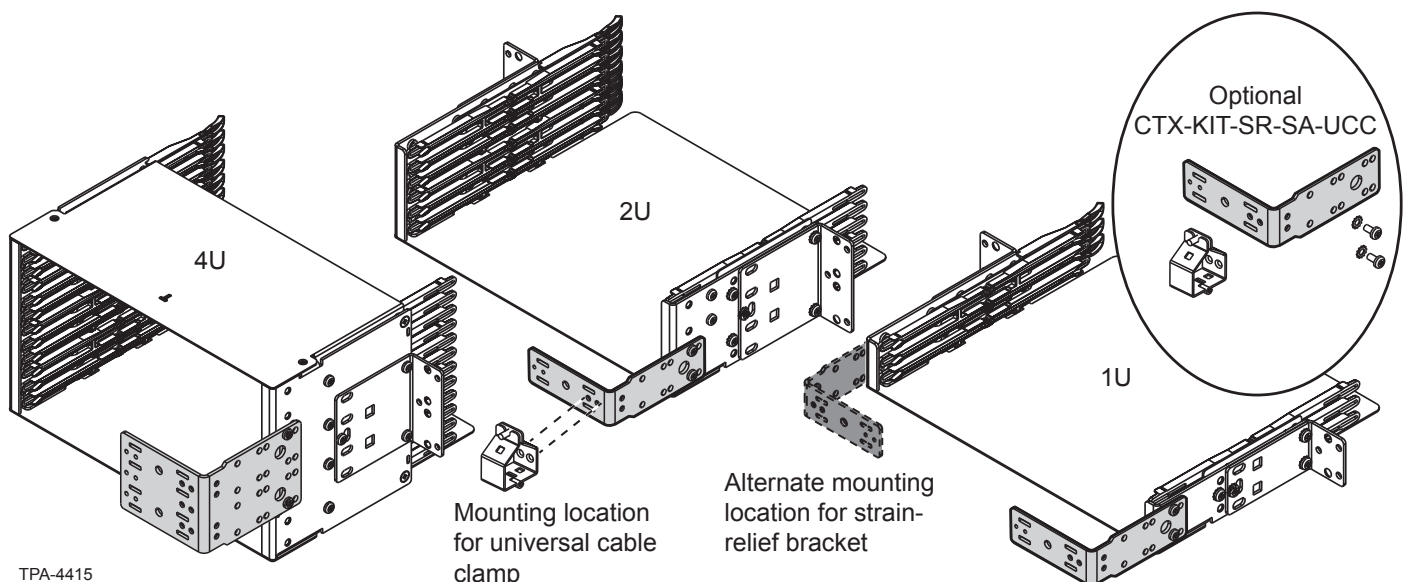


Figure 1

Step 1: Remove housing from its packaging.

Step 2: Attach the strain-relief bracket(s) to the side of the housing (Figure 1).

Step 3: If desired, attach a UCC to the strain-relief bracket to manage large fiber-count cables.

3.2 Mount Housing into Centrix System Frame

Step 1: Determine mounting location for the housing and locate the appropriate opening in the rail for the cage nut installation.

- If cable enters at the top of the frame, begin installing housings at the bottom of the frame.
- If cable enters at the bottom of the frame, begin installing housings at the top of the frame.

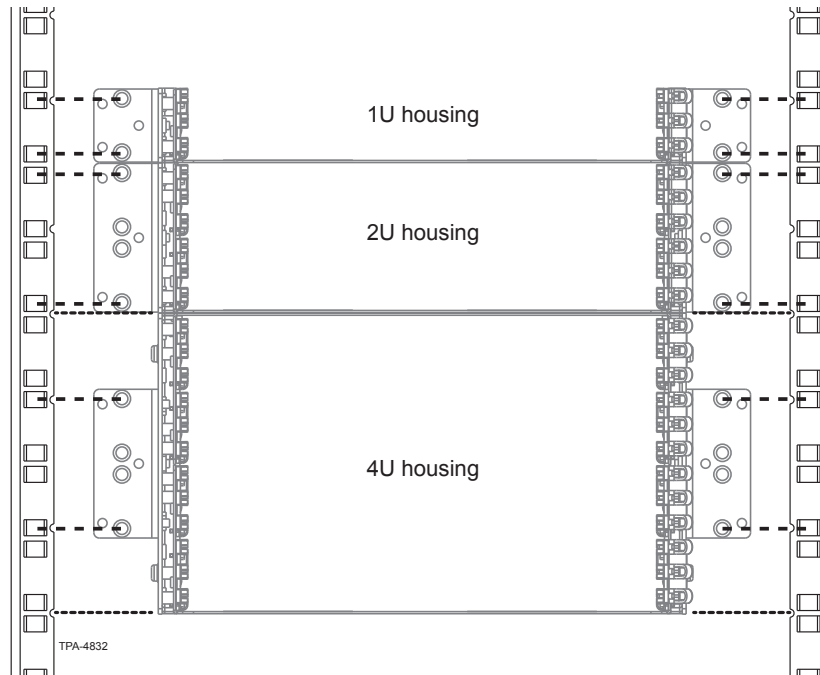


Figure 2

Step 2: Insert each cage nut into the rail from behind (Figure 3) at the distances determined in Step 1. Ensure that the cage nut clicks into place.

Step 3: Secure each mounting bracket in the cage nuts with two screws.

Step 4: Repeat all steps for additional housings.

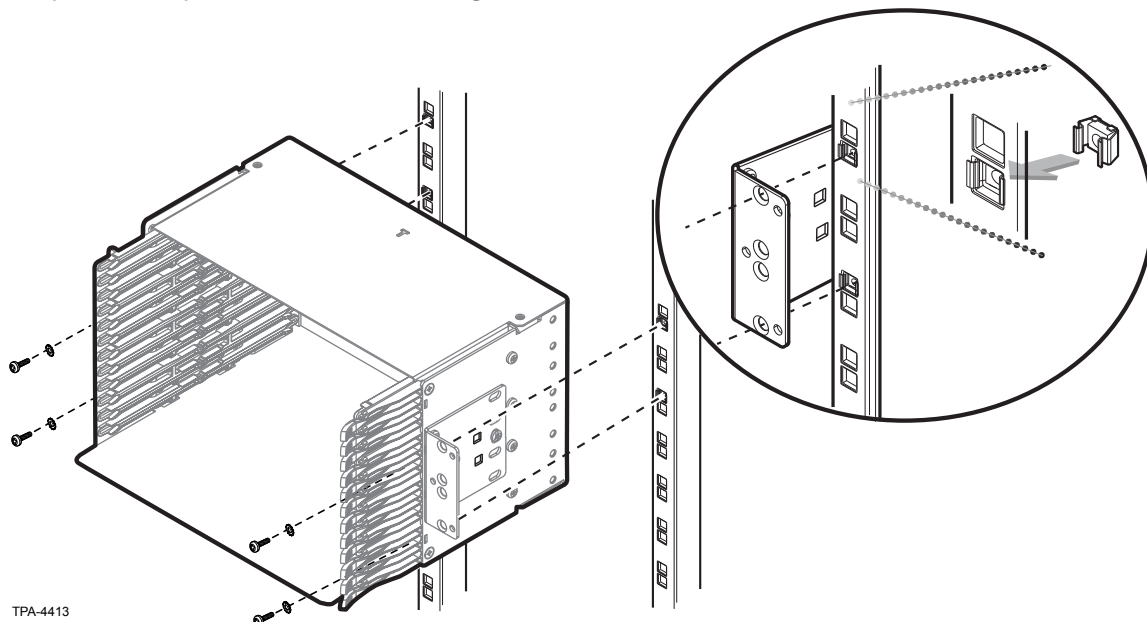
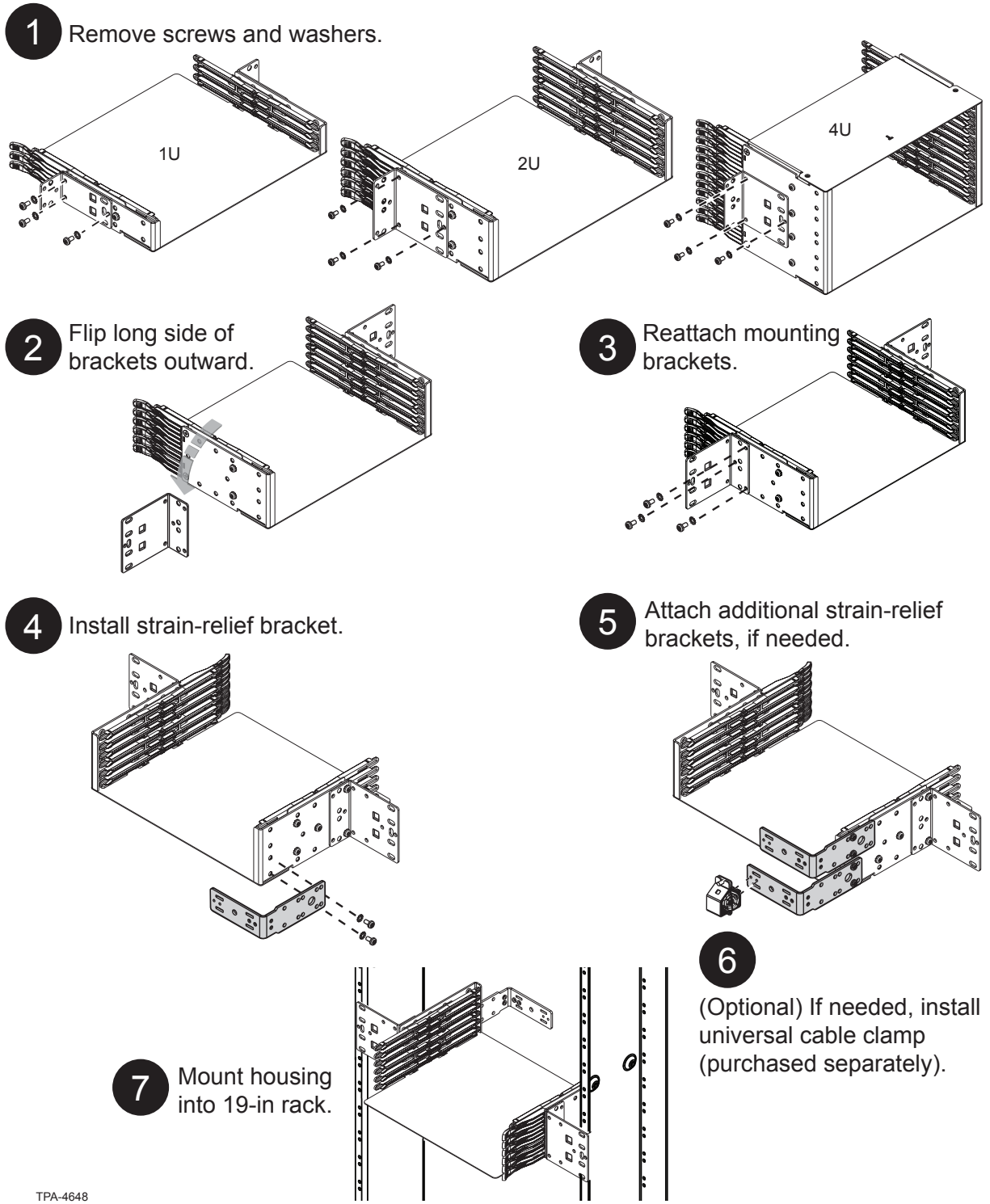


Figure 3

3.3 Mount Housing Into 19-in Frame/Rack

If only the 2U housing is shown, installation process is the same for other size housings.



TPA-4648

Figure 4