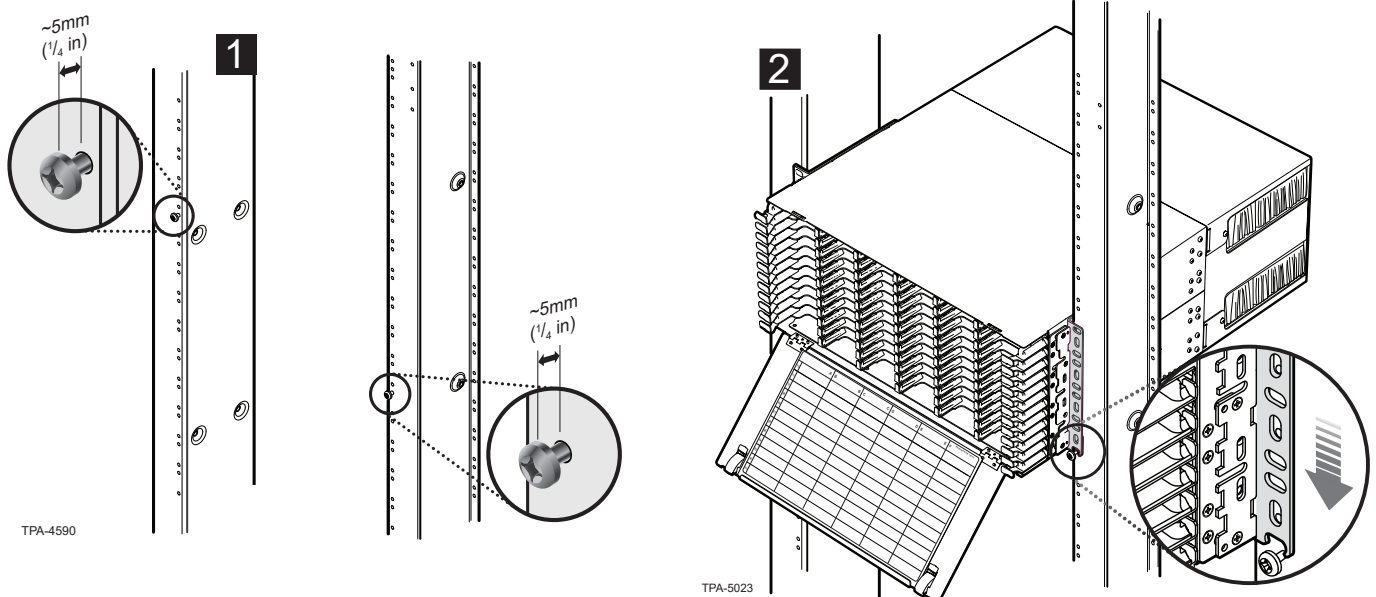
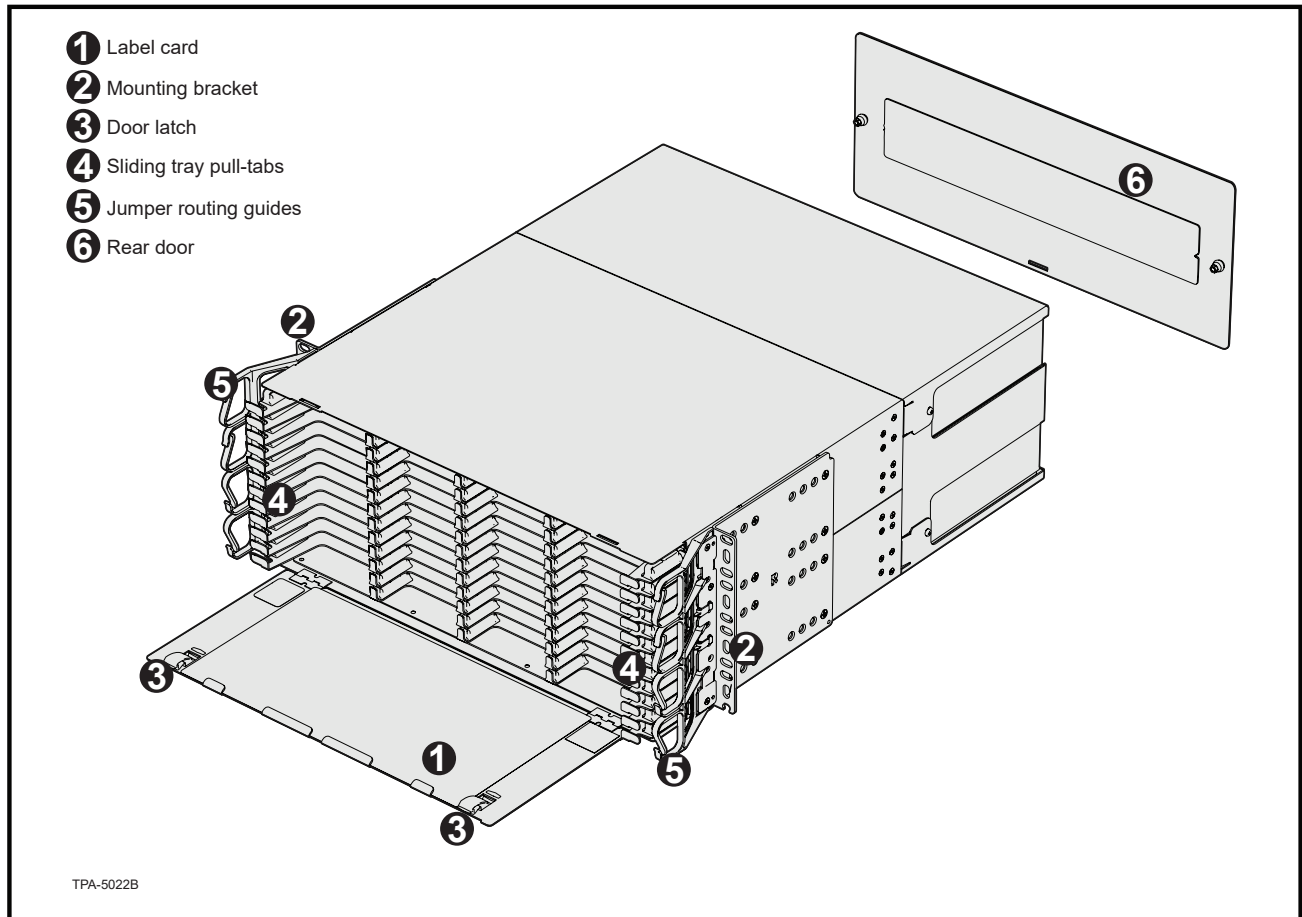
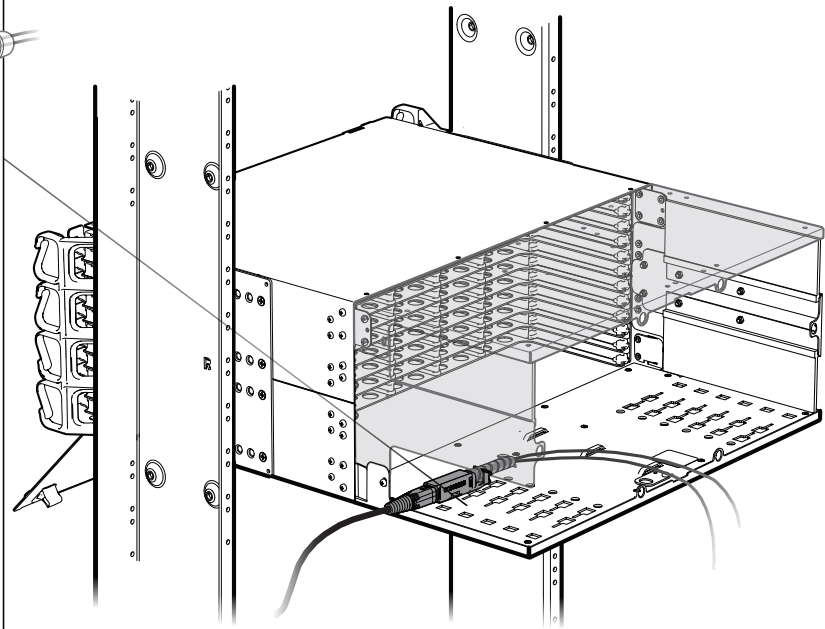
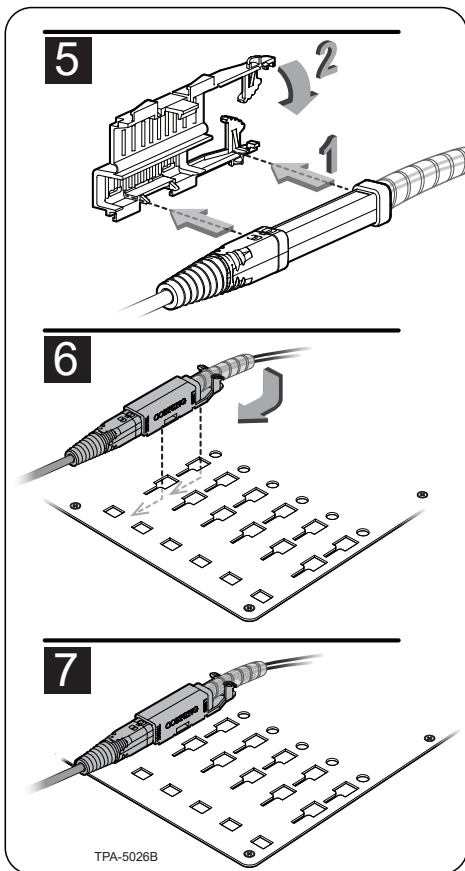
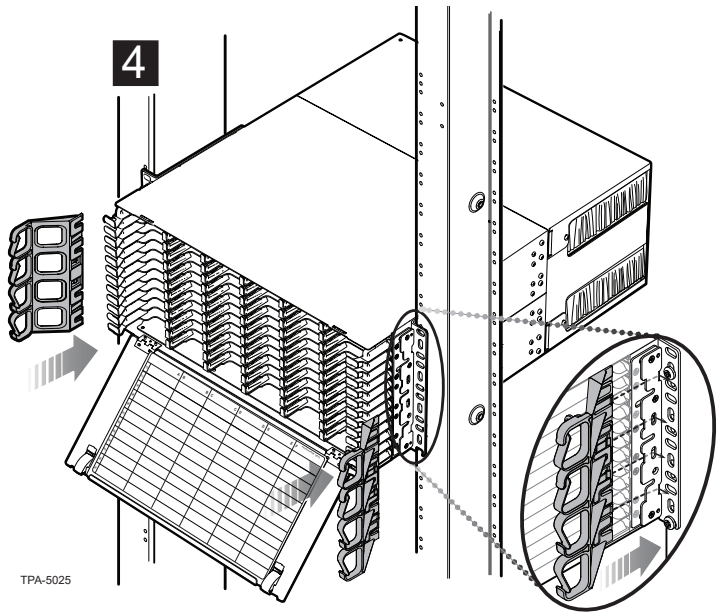
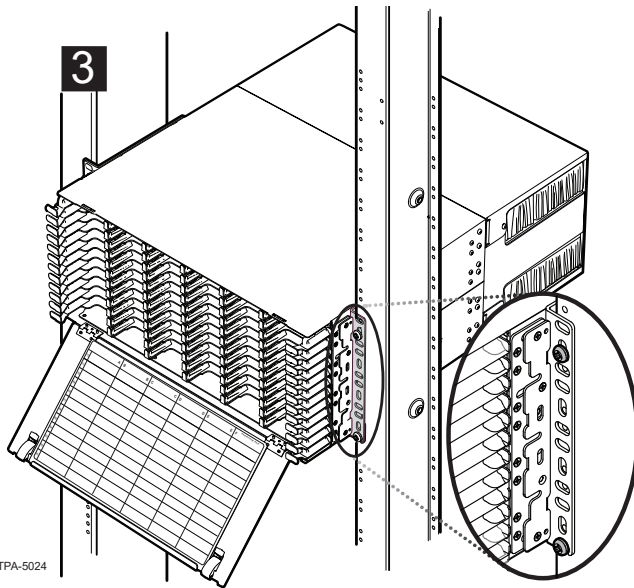


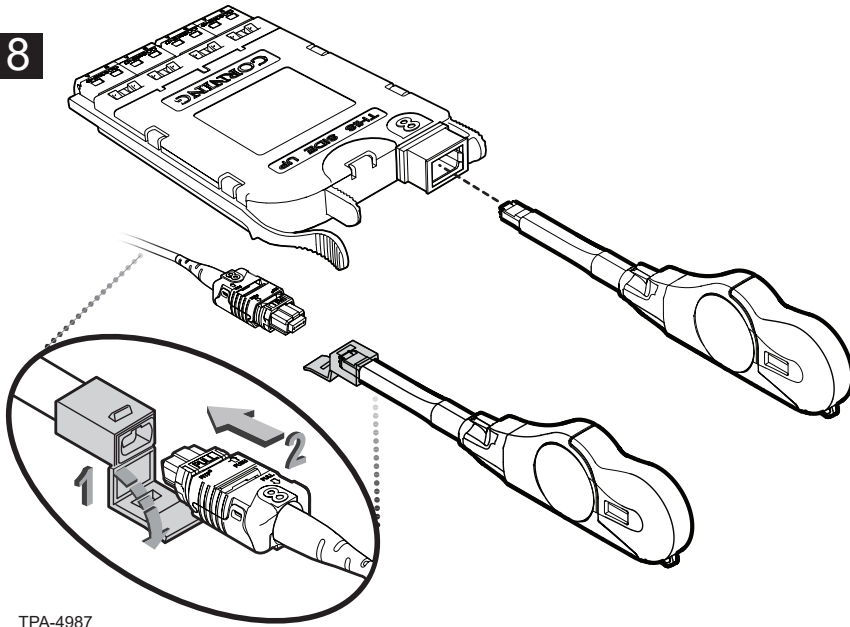
related literature | visit <http://www.corning.com/opcomm/>

003-1002-AEN Instruction, EDGE8® Solution



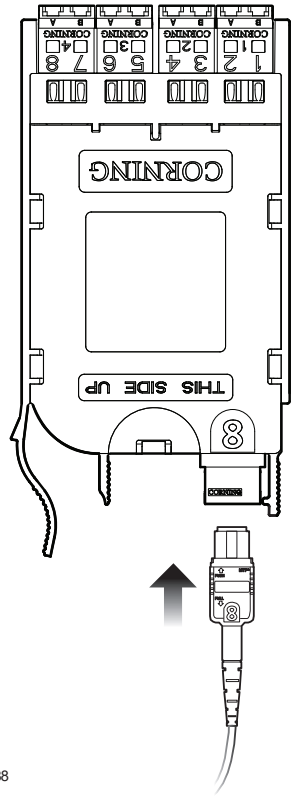


8



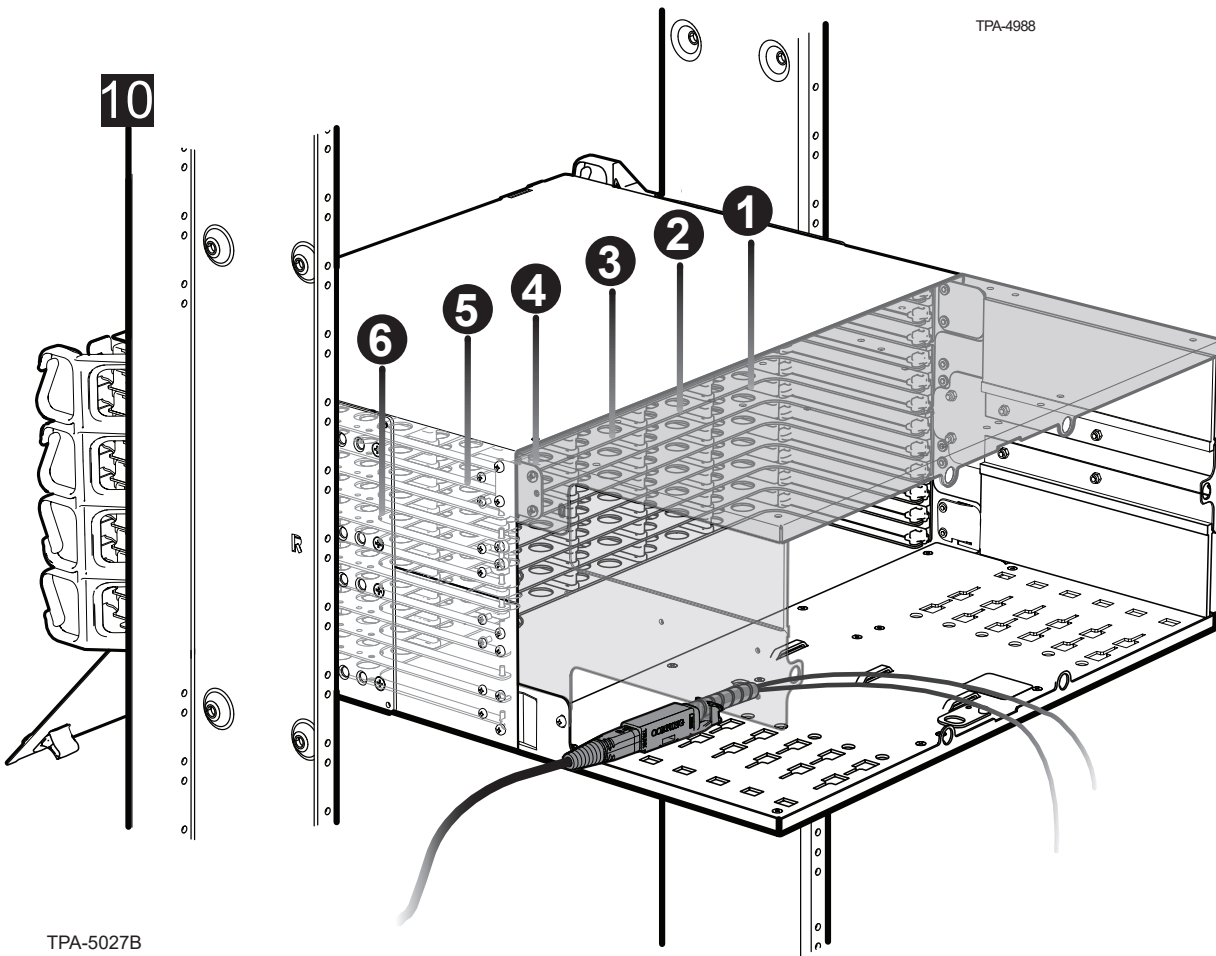
TPA-4987

9



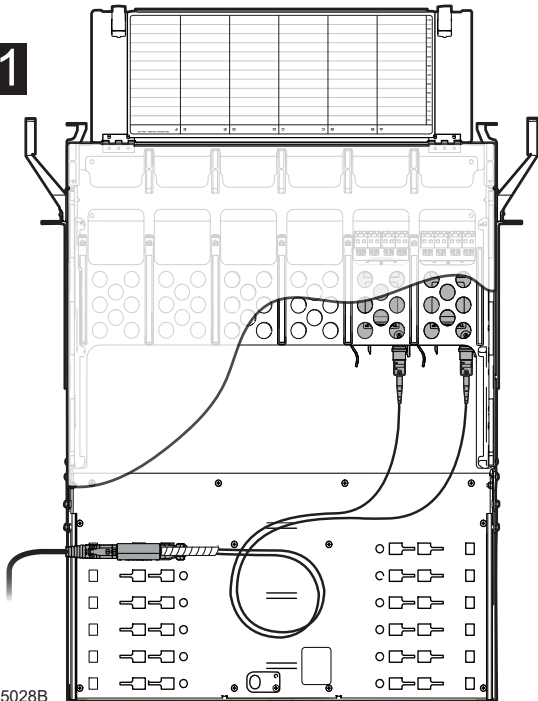
TPA-4988

10



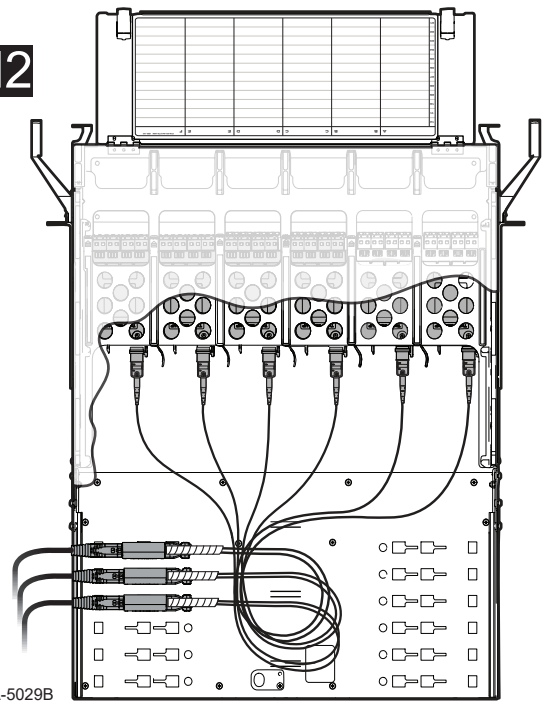
TPA-5027B

11



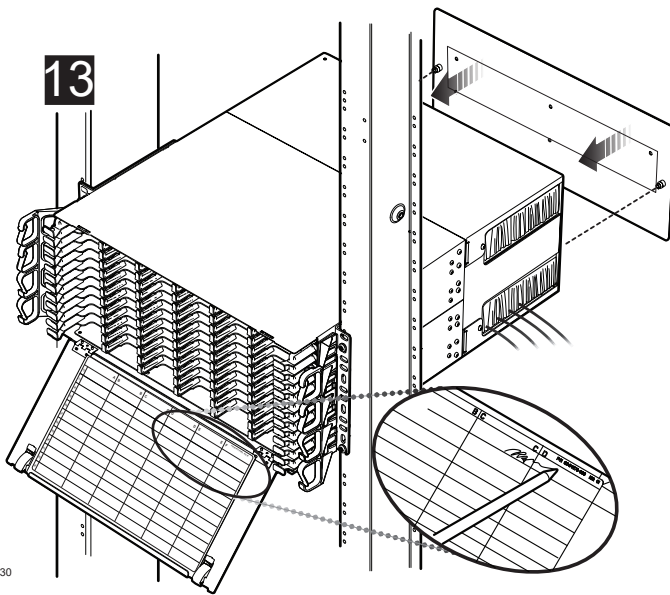
TPA-5028B

12



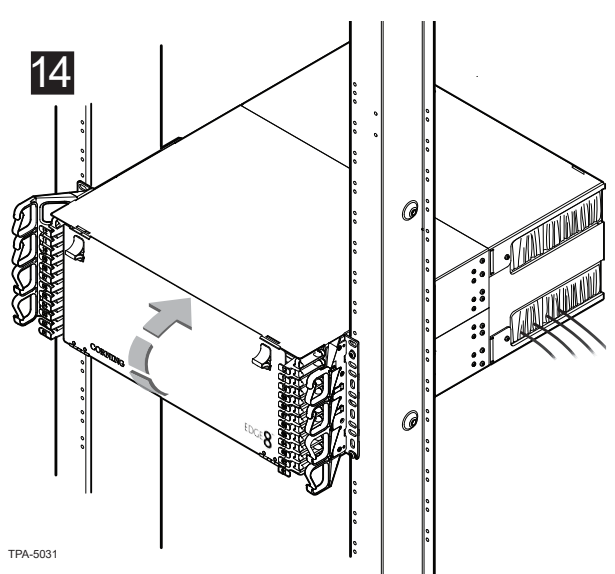
TPA-5029B

13



TPA-5030

14



TPA-5031

Corning Optical Communications LLC • 4200 Corning Place • Charlotte, NC 28216 USA  
 800-743-2675 • FAX: 828-325-5060 • International: +1-828-901-5000 • Corning.com/opcomm

Corning Optical Communications reserves the right to improve, enhance, and modify the features and specifications of Corning Optical Communications products without prior notification. A complete listing of the trademarks of Corning Optical Communications is available at [www.corning.com/opcomm/trademarks](http://www.corning.com/opcomm/trademarks). All other trademarks are the properties of their respective owners. Corning Optical Communications is ISO 9001 certified. © 2015, 2020, 2024 Corning Optical Communications. All rights reserved.