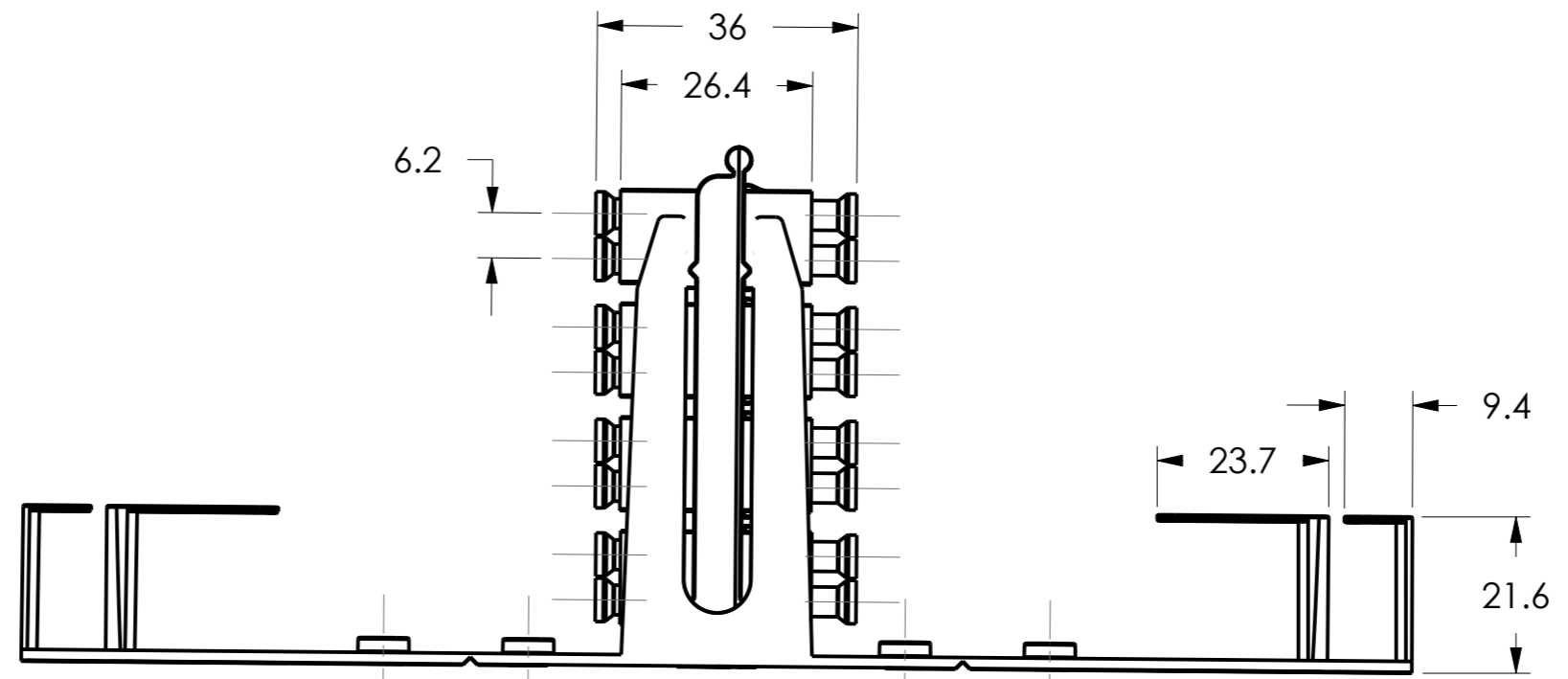
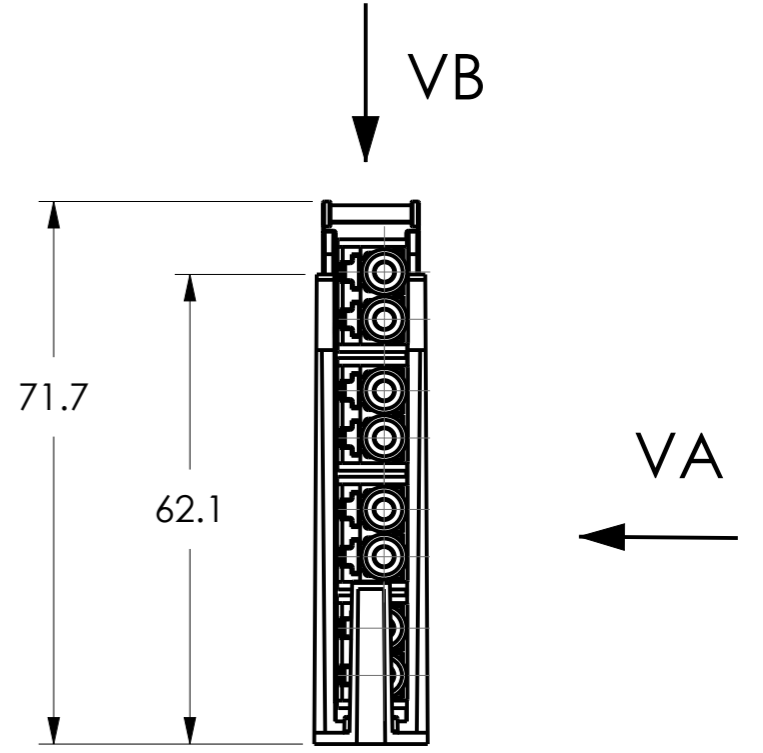
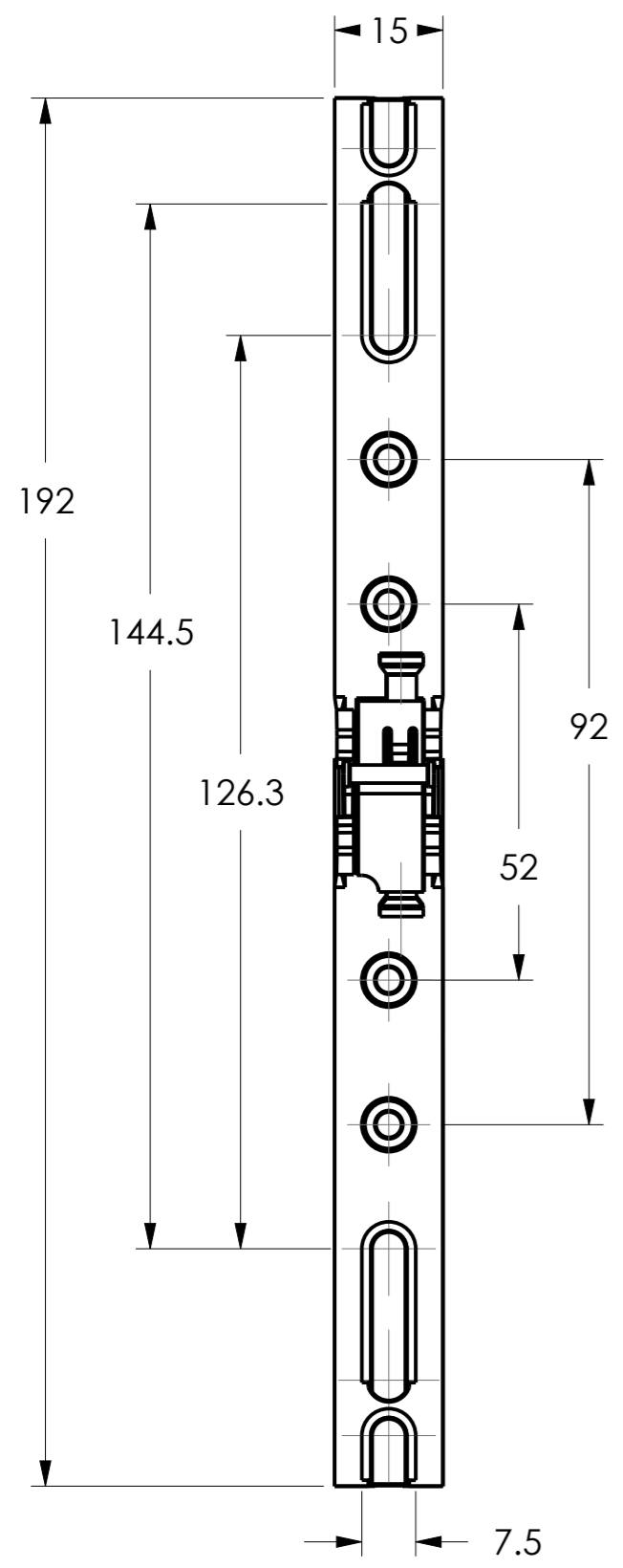


| CURRENT REVISION | | |
|------------------|-------------------|-----------------------|
| REV | BY | DATE |
| | Niżnikowski Piotr | 11-Apr-17 09:04:13 AM |

VIEW VA



VIEW VB



| | | | | |
|---|--|----------------------------|--|---|
| STANDARDS APPLIED: CORNING: 0000117915-EN ASME Y14.5-2009 ASME Y14.100-2009 | | ITEM 1 QTY. 2 | CREATED BY Niżnikowski Piotr | <h1>CORNING</h1> Corning Optical Communications BLANK |
| | | SCALE 1/1 | DATE CREATED 11-Apr-17 09:04:13 AM | |
| CLASSIFICATION: Corning Restricted Confidential Under NDA (R3) | | SHEET 1 OF 1 | UNITS A3 | DESCRIPTION BAT Kit - 4 LC APC |
| LEGAL NOTICE: TRADE SECRETS AND/OR CONFIDENTIAL/PROPRIETARY INFORMATION OWNED BY CORNING IS CONTAINED HEREIN AND MAY NOT BE DISCLOSED, USED, DUPLICATED OR DISTRIBUTED WITHOUT CORNING'S PRIOR WRITTEN CONSENT. YOUR FAILURE TO PROTECT CORNING'S TRADE SECRETS AND/OR CONFIDENTIAL/PROPRIETARY INFORMATION MAY RESULT IN YOUR LIABILITY FOR ALL RESULTING DAMAGES AND LOSSES. | | MATERIAL N/A | FORMAT A3 | |
| | | VOLUME 18484.166 | FINISH N/A | DOCUMENT NUMBER BAT_PLY_22RT |