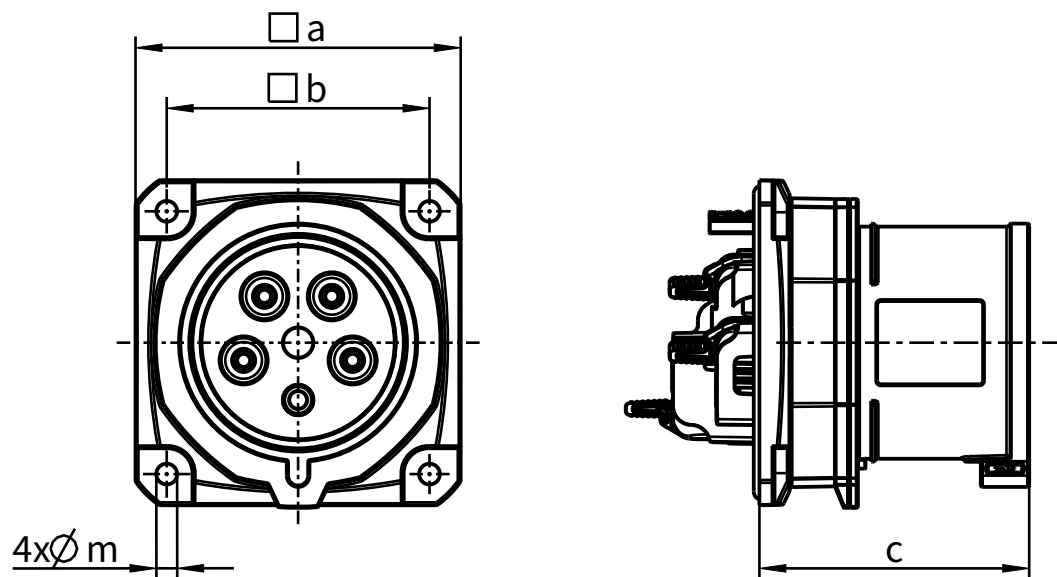


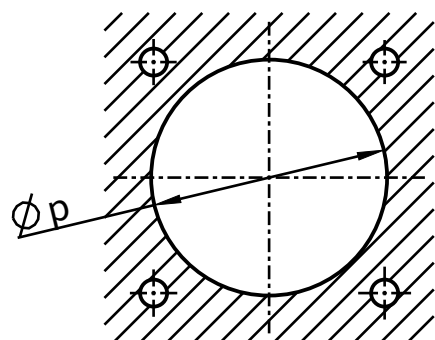
MAßZEICHNUNG

Dimensional drawing



| Amp. | 16A | | 32A | | |
|------|-----|-----|-----|-----|-----|
| Pole | 4 | 5 | 3 | 4 | 5 |
| a | 86 | 86 | 86 | 86 | 86 |
| b | 70 | 70 | 70 | 70 | 70 |
| c | 63 | 63 | 72 | 72 | 72 |
| m | 5,5 | 5,5 | 5,5 | 5,5 | 5,5 |
| p | 60 | 60 | 73 | 73 | 73 |

Montageausschnitt
Mounting cutout



- SK Schraubklemme/ *screw terminal*
- SN Schraubklemme vernickelt/ *screw terminal nickel plated*
- CC Cage clamp/ *cage clamp*
- CN Cage clamp vernickelt/ *cage clamp nickel plated*
- PH Phasenwender/ *phase inverter*
- PN Phasenwender vernickelt/ *phase inverter nickel plated*