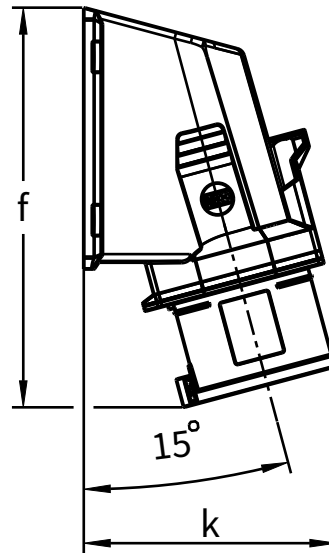
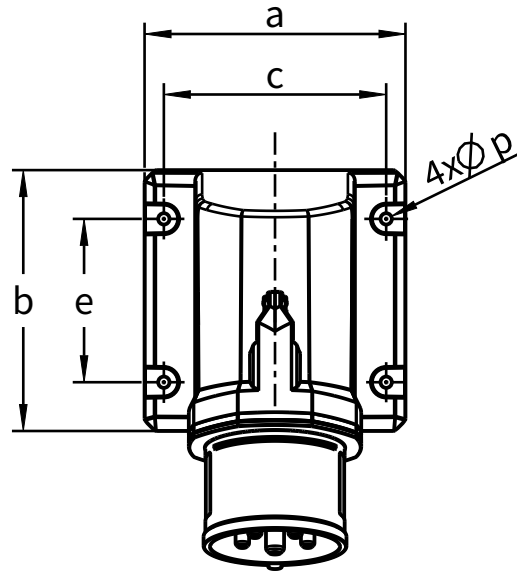
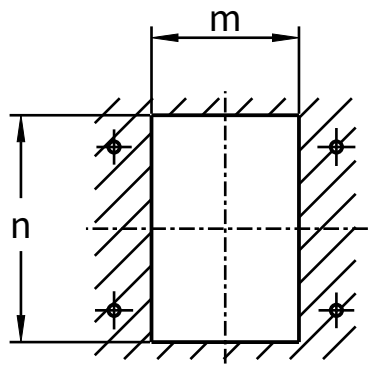


# MAßZEICHNUNG

## Dimensional drawing



Montageausschnitt/ Mounting cutout



Amp.	16A			32A		
	Pole 3	Pole 4	Pole 5	Pole 3	Pole 4	Pole 5
a	90	90	90	115	115	115
b	78	78	78	115	115	115
c	78	78	78	98	98	98
e	45	45	45	72	72	72
f	131	132	133	175	175	176
k	85	100	103	109	109	111
m	55	55	55	100	100	100
n	60	60	60	65	65	65
p	5,5	5,5	5,5	5	5	5

- SK Schraubklemme/ screw terminal
- SN Schraubklemme vernickelt/ screw terminal nickel plated
- CC Cage clamp/ cage clamp
- CN Cage clamp vernickelt/ cage clamp nickel plated
- PH Phasenwender/ phase inverter
- PN Phasenwender vernickelt/ phase inverter nickel plated