

Wall mounting appliance inlet - with closure cap



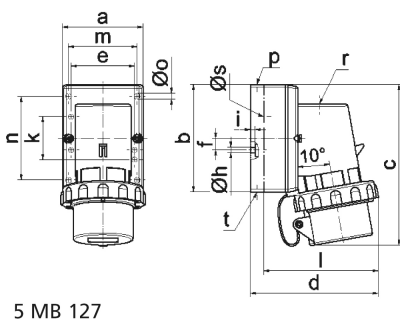
| Product description | |
|---------------------------|-------------------------------|
| BALS-Prd.-Nr | 24216 |
| EAN | 4024941242165 |
| Product category | Wall mounting appliance inlet |
| Current | 32A |
| Number of poles | 3p |
| Arrangement of phases | 2P+PE |
| Position of earth contact | 4 h |
| Voltage | 100 - 130V~ |
| Frequency | 50/60Hz |

| Product description | |
|------------------------|--|
| Protection degree | IP67 |
| Colour code | yellow RAL 1012 |
| Colour of appliance | Collar yellow RAL 1012, Closure cap grey RAL 7035, Bayonet ring grey RAL 7035, Housing bottom grey RAL 7035, Housing top grey RAL 7035 |
| Connection design | with screw terminal |
| Maximum conductor size | 6,0 qmm |
| Cable entry | top entry M25 |
| Height | 148mm |
| Width | 94mm |
| Depth | 121mm |
| Dimension of enclosure | 75x90 mm (HxW) |
| Material of enclosure | Polyamide |
| Contacts | the contact carrier is made of polyamide, the contacts are brass nickel plated |

| Additional technical properties | |
|---------------------------------|--|
| | The cable entry is one at top open and one rear sided closed |
| | With closure cap |

| Logistics data | |
|----------------|------------------|
| Weight/pcs | 0.368 kg / Piece |
| Packaging | Bag |

| Logistics data | |
|----------------|---------------|
| Content amount | 1 ST |
| EAN | 4024941242165 |
| Length | 121 mm |
| Width | 94 mm |
| Height | 148 mm |
| Weight | 0.369 kg |
| Volume | 1,683.352 ccm |
| Packaging | Carton |
| Content amount | 10 ST |
| EAN | 4024941822862 |
| Length | 330 mm |
| Width | 216 mm |
| Height | 260 mm |
| Weight | 3.906 kg |
| Volume | 17,062.5 ccm |



5 MB 127

| Ampere | 16 | 16 | 16 | 32 | 32 | 32 |
|---------|---------|---------|-------|-------|-------|-------|
| Polzahl | 3 | 4 | 5 | 3 | 4 | 5 |
| a | 64,0 | 75,0 | 84,0 | 90,0 | 90,0 | 90,0 |
| b | 87,0 | 100,0 | 84,0 | 75,0 | 75,0 | 75,0 |
| c | 137,0 | 151,0 | 137,0 | 147,0 | 147,0 | 148,0 |
| d | 112,0 | 119,0 | - | 122,0 | 122,0 | 123,0 |
| e | 51,0 | 59,0 | - | - | - | - |
| f | - | 11,0 | - | - | - | - |
| h Ø | 4,1 | 5,1 | - | - | - | - |
| i | 4,5 | 4,5 | - | - | - | - |
| k | 40,0 | - | - | - | - | - |
| l | - | - | 111,0 | - | - | - |
| m | - | - | 64,0 | 78,0 | 78,0 | 78,0 |
| n | - | - | 64,0 | 45,0 | 45,0 | 45,0 |
| o Ø | - | - | 5,5 | 5,5 | 5,5 | 5,5 |
| p | M20 | M20 | - | - | - | - |
| r | - | - | M20 | M25 | M25 | M25 |
| s Ø | - | - | 23,0 | 29,0 | 29,0 | 29,0 |
| t | für M20 | für M20 | - | - | - | - |