

Wall mounting appliance inlet - without closure cap



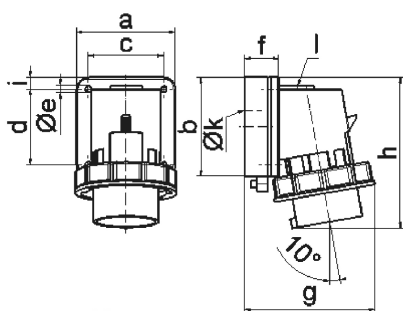
Product description	
BALS-Prd.-Nr	24416
EAN	4024941244169
Product category	TE wall mounting appliance inlet QUICK-CONNECT
Current	16A
Number of poles	5p
Arrangement of phases	3p+N+PE
Position of earth contact	6 h
Voltage	200/346 - 240/415V~
Frequency	50/60Hz

Product description	
Protection degree	IP67
Colour code	red RAL 3000
Colour of appliance	Collar red RAL 3000, Bayonet ring grey RAL 7035, Housing bottom grey RAL 7035, Housing top grey RAL 7035
Connection design	screwless spring-clamp technology
Maximum conductor size	2,5 qmm
Cable entry	top entry M20
Height	129mm
Width	86mm
Depth	111mm
Dimension of enclosure	84x84 mm
Material of enclosure	Polyamide
Contacts	the contact carrier is made of high temperature resistant material, the contacts are brass nickel plated

Additional technical properties	
	The cable entry is one at top open and one rear sided closed

Logistics data	
Weight/pcs	0.27 kg / Piece
Packaging	Bag
Content amount	1 ST

Logistics data	
EAN	4024941244169
Length	111 mm
Width	86 mm
Height	129 mm
Weight	0.271 kg
Volume	1,231.434 ccm
Packaging	Carton
Content amount	10 ST
EAN	4024941832946
Length	325 mm
Width	217 mm
Height	210 mm
Weight	2.906 kg
Volume	13,588.4 ccm



Ampere	16	32				
Polzahl	5	5				
a	84,0	90,0				
b	84,0	75,0				
c	64,0	78,0				
d	64,0	45,0				
e ø	5,5	5,5				
f	28,0	28,0				
g	111,0	123,0				
h	136,0	139,0				
i	10,0	13,0				
k ø	23,0	29,0				
l	M20	M25				