

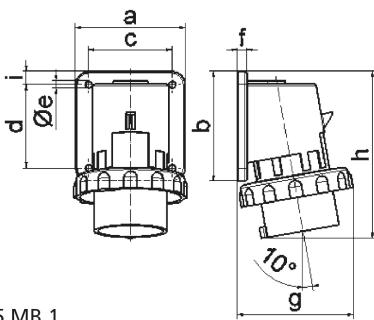
Phase inverter as wall panel mounting appliance inlet - without closure cap

Product description	
BALS-Prd.-Nr	26009
EAN	4024941260091
Product category	Phase inverter as surface mounting appliance inlet
Current	16A
Number of poles	5p
Arrangement of phases	3p+N+PE
Position of earth contact	9 h
Voltage	120/208 - 144/250V~
Frequency	50/60Hz
Protection degree	IP67
Colour code	blue RAL 5015
Colour of appliance	Collar blue RAL 5015, Bayonet ring grey RAL 7035, Enclosure grey RAL 7035
Connection design	with screw terminal
Maximum conductor size	2,5 qmm
Cable entry	other
Height	129mm
Width	88mm
Depth	89mm

Product description	
Flange size vertical in mm	84mm
Flange size horizontal in mm	84mm
Drill hole dist. vertical mm	64mm
Drill hole dist. horizontal mm	64mm
Material of enclosure	Polyamide
Contacts	the contact carrier is made of polyamide, the contacts are brass nickel plated

Logistics data	
Weight/pcs	0.21 kg / Piece
Packaging	Bag
Content amount	1 ST
EAN	4024941260091
Length	89 mm
Width	88 mm
Height	129 mm
Weight	0.211 kg
Volume	1,190.135 ccm
Packaging	Carton
Content amount	10 ST
EAN	4024941834360
Length	295 mm

Logistics data	
Width	185 mm
Height	215 mm
Weight	2.261 kg
Volume	9,975 ccm



Ampere	16	16	16	32	32	32
Polzahl	3	4	5	3	4	5
a	74,0	75,0	84,0	90,0	90,0	90,0
b	84,0	100,0	84,0	75,0	75,0	75,0
c	58,0	62,0	64,0	78,0	78,0	78,0
d	64,0	74,0	64,0	45,0	45,0	45,0
e ø	5,5	4,3	5,5	5,5	5,5	5,5
f	12,0	12,0	7,0	7,0	7,0	7,0
g	80,0	88,0	90,0	100,0	100,0	101,0
h	128,0	145,0	129,0	138,0	138,0	139,0
i	-	-	10,0	13,0	13,0	13,0
Leiter mm ² min	1	1	1	2,5	2,5	2,5
Leiter mm ² max	2,5	2,5	2,5	6	6	6