

Wall mounting appliance inlet low voltage - housing dimensions 80x70



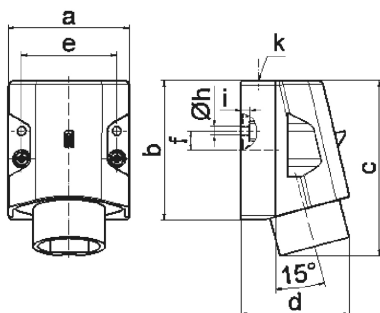
Product description	
BALS-Prd.-Nr	4619
EAN	4024941046190
Product category	ELV wall mounting appliance inlet
Current	32A
Number of poles	3p
Arrangement of phases	3P
Position of earth contact	4 h
Voltage	20 up to 25 and 40 up to 50V

Product description	
Frequency	100 - 200Hz
Protection degree	IP44
Colour code	green RAL 6002
Colour of appliance	Housing bottom grey RAL 7035, Housing top grey RAL 7035, Collar green RAL 6002
Connection design	with screw terminal
Maximum conductor size	10,0 qmm
Cable entry	top entry M25
Height	102mm
Width	70mm
Depth	63mm
Dimension of enclosure	80x70 mm (HxW)
Material of enclosure	Polyamide
Contacts	the contact carrier is made of polyamide, the contacts are brass

Additional technical properties	
	The cable entry is one at top open

Logistics data	
Weight/pcs	0.151 kg / Piece
Packaging	Bag
Content amount	1 ST

Logistics data	
EAN	4024941046190
Length	63 mm
Width	70 mm
Height	102 mm
Weight	0.152 kg
Volume	449.82 ccm
Packaging	Carton
Content amount	10 ST
EAN	4024941837316
Length	245 mm
Width	177 mm
Height	185 mm
Weight	1.643 kg
Volume	7,140 ccm



16 MB 15

Ampere	16	16	32	32		
Polzahl	2	3	2	3		
a	70,0	70,0	70,0	70,0		
b	80,0	80,0	80,0	80,0		
c	100,0	100,0	100,0	100,0		
d	82,0	82,0	82,0	82,0		
e	55,0	55,0	55,0	55,0		
f	11,0	11,0	11,0	11,0		
h ø	5,2	5,2	5,2	5,2		
i	5,0	5,0	5,0	5,0		
k	M25	M25	M25	M25		
Leiter mm ² min	4	4	4	4		
Leiter mm ² max	10	10	10	10		