

Panel mounting socket outlet low voltage - flange 100x92 fixing centers 85x77 angled execution

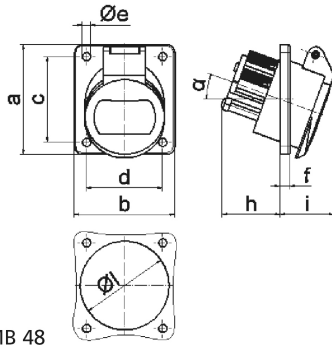


| Product description | |
|---------------------------|--|
| BALS-Prd.-Nr | 4223 |
| EAN | 4024941042239 |
| Product category | ELV panel mounting socket Outlet, angled |
| Current | 16A |
| Number of poles | 2p |
| Arrangement of phases | 2P |
| Position of earth contact | 12 h |
| Voltage | 40 up to 50V |

| Product description | |
|--------------------------------|--|
| Frequency | 50/60Hz |
| Protection degree | IP44 |
| Colour code | grey RAL 7035 |
| Colour of appliance | Hinged lid grey RAL 7035, Enclosure grey RAL 7035 |
| Connection design | with screw terminal |
| Maximum conductor size | 10,0 qmm |
| Cable entry | other |
| Height | 100mm |
| Width | 92mm |
| Depth | 70mm |
| Flange size vertical in mm | 100mm |
| Flange size horizontal in mm | 92mm |
| Drill hole dist. vertical mm | 85mm |
| Drill hole dist. horizontal mm | 77mm |
| Material of enclosure | Polyamide |
| Contacts | the contact carrier is made of polyamide, the contacts are brass nickel plated |

| Additional technical properties | |
|---------------------------------|------------------------|
| | The inclination is 20° |

| Logistics data | |
|----------------|------------------|
| Weight/pcs | 0.146 kg / Piece |
| Packaging | Bag |
| Content amount | 1 ST |
| EAN | 4024941042239 |
| Length | 70 mm |
| Width | 92 mm |
| Height | 100 mm |
| Weight | 0.147 kg |
| Volume | 644 ccm |
| Packaging | Carton |
| Content amount | 10 ST |
| EAN | 4024941968119 |
| Length | 245 mm |
| Width | 177 mm |
| Height | 185 mm |
| Weight | 1.593 kg |
| Volume | 7,140 ccm |



16 MB 48

| Ampere Polzahl | 16 2 | 16 3 | 32 2 | 32 3 | | |
|----------------------------|---------|---------|---------|---------|--|--|
| a | 100,0 | 100,0 | 100,0 | 100,0 | | |
| b | 92,0 | 92,0 | 92,0 | 92,0 | | |
| c | 85,0 | 85,0 | 85,0 | 85,0 | | |
| d | 77,0 | 77,0 | 77,0 | 77,0 | | |
| e ø | 5,2 | 5,2 | 5,2 | 5,2 | | |
| f | 6,0 | 6,0 | 6,0 | 6,0 | | |
| h | 36,0 | 36,0 | 36,0 | 36,0 | | |
| i | 35,0 | 35,0 | 35,0 | 35,0 | | |
| α | 20° | 20° | 20° | 20° | | |
| l ø | 55,0 | 55,0 | 55,0 | 55,0 | | |
| Leiter mm ² min | 4 | 4 | 4 | 4 | | |
| Leiter mm ² max | 10 | 10 | 10 | 10 | | |