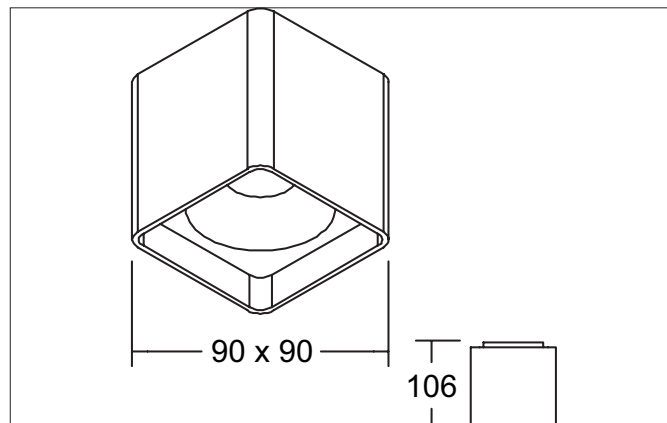


DOLOK-S LED surface-mounted ceiling downlight, trailing edge dimmable

Article no. 12126183


Tender

LED surface-mounted ceiling downlight, trailing edge dimmable, Square. Luminaire length 90.0 mm, Luminaire width 90.0 mm, Hight 106.0 mm Weight 0.661 kg, Reflector silver with rotationssymmetrical, deep, wide distributed light intensity. Cover plastic, structured. Luminous flux 880 lm, Power 1 x 14,6 W, Light colour warm white, Correlated color temprature (CCT) 3.000 K, Colour rendering index CRI 83, Housing material: Aluminium / PMMA, Colour: Black structure, Permissible ambient temperature (ta): -20 °C - +25 °C, Protection class (EN 61140): I, Degree of protection (DIN EN 60529): IP20. With electronic driver, Trailing-edge phase dimmable.

Article data	
Article no.	12126183
GTIN	4255752519881
Series name	DOLOK-S
Short description	LED surface-mounted ceiling downlight, trailing edge dimmable
Material	Aluminium / PMMA
Colour	Black
Type of surface	Structure
Shape	Square
Length	90 mm
Width	90 mm
Hight	106 mm
Weight	0.661 kg
Conformance	CE, UKCA

DOLOK-S LED surface-mounted ceiling downlight, trailing edge dimmable

Article no. 12126183

Lighting technology	
Colour temperature	3.000 K
Light colour	White
Light output	Direct/Indirect
Luminous flux	880 lm
System efficiency	60 lm/W
Colour rendering	CRI 83
Reflector	Faceted
Reflector colour	silver
Beam angle	40°
Light sharing	Symmetric
Adjustable color temperature	No

Operating technology of the luminaire	
System output	14.6 W
Voltage type	AC
AC nominal voltage max	230 V
Frequency max	50 Hz
Lamp	LED
Lamp holder	LED
Protection class	I
Degree of protection	IP20
Dimmable	Yes
Control	Trailing-edge phase
Bulb change possible	The light source of this luminaire may only be replaced by the manufacturer or a service technician commissioned by him or a similarly qualified person.

Mounting technology	
Mounting method	Surface mounting
Place of installation	Ceiling-mounted
Adjustability	Not adjustable
Material cover	Plastic, structured

Packing data	
Gross weight	0.711 kg
Length of packaging	100 mm
Packaging width	100 mm
Packaging height	135 mm
Disposal at end of life	This product must not be disposed of with household waste. You are obliged, to dispose of such electrical waste separately. By disposing of electrical waste and other old or defective electronics separately, you support recycling or other forms of re-use. In that way you help to take care and to avoid that harmful substances get into the environment.