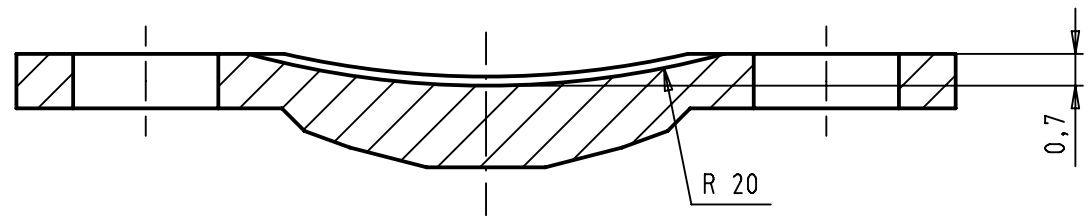
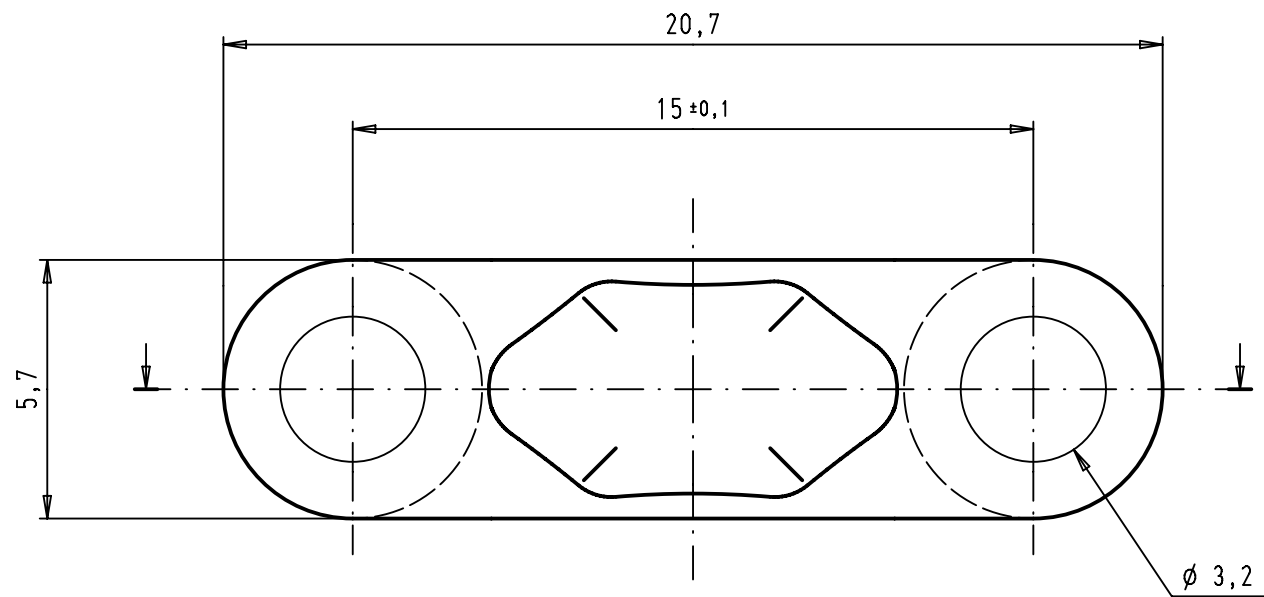


A

B

C


D



To be used with : 09 67 009 0424  
 09 67 009 0425  
 09 67 009 0426  
 09 67 009 0427

To be used with : 09 67 0xx 0430  
 09 67 0xx 0431  
 09 67 0xx 0434  
 09 67 0xx 0435  
 09 67 0xx 0462  
 09 67 0xx 0463  
 09 67 0xx 0464  
 09 67 0xx 0465

xx = 09, 15, 25, 37.

	All rights reserved Department EC PD - FR	All Dimensions in mm Original Size DIN A4		Scale 5:1	Free size tol.		Ref. Sub.	
		Created by DOUGE	Inspected by BAGDIKIAN	Standardisation HOFFMANN	Date 2012-10-15	State Final Release		
HARTING Electronics GmbH D-32339 Espelkamp		Title Small cable clamp for D-Sub hood					Doc-Key / ECM-Nr. 100516201/UGD/001/A 500000055786	
		Type TB	Number 09670029104		Rev. A	Page 1/1		