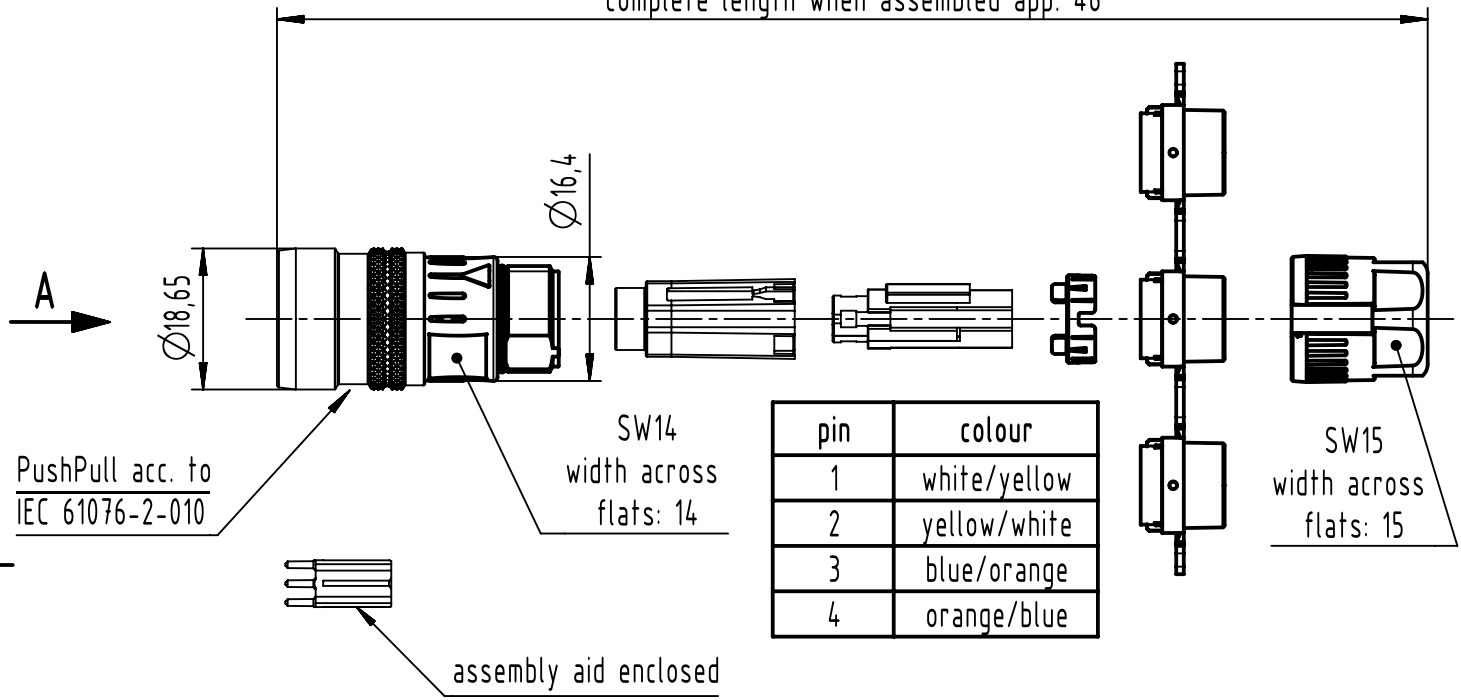


complete length when assembled app. 46



PushPull acc. to IEC 61076-2-010

SW14 width across flats: 14

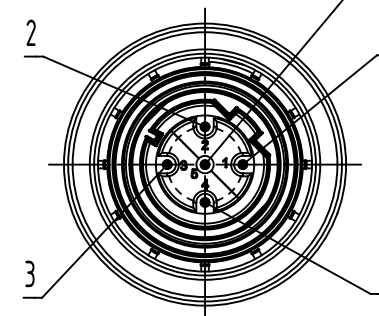
assembly aid enclosed

pin	colour
1	white/yellow
2	yellow/white
3	blue/orange
4	orange/blue

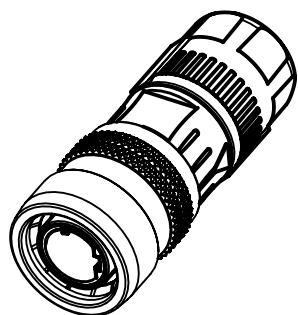
SW15 width across flats: 15

A (2:1)

contact face acc. to IEC 61076-2-101



order contacts separately



5,7-8,8mm	AWG 26-22		09 67 000 5576	
	AWG 24-20		09 67 000 8576	
	AWG 22-18		09 67 000 3576	
cable \varnothing	wire gauge		contact part number	
All Dimensions in mm Original Size DIN A4	Scale	Free size tol.		Ref.
	1:1			Sub.
All rights reserved Department EL PD	Created by	Inspected by	Standardisation	Date
	SERBANA	FARCASIU	ROEBEN	2023-09-01
HARTING D-32339 Espelkamp	Title			State
	M12 PushPull 4-pole D-coded male			Final Release
Type			Number	Doc-Key / ECM-Nr.
TB			21038811430	100572923/UGD/001/M 500000252551
			Rev.	Page
			M	1/1