

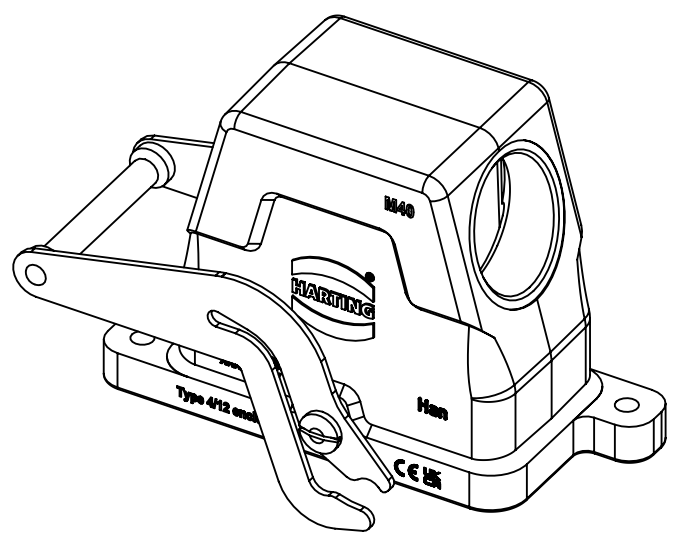
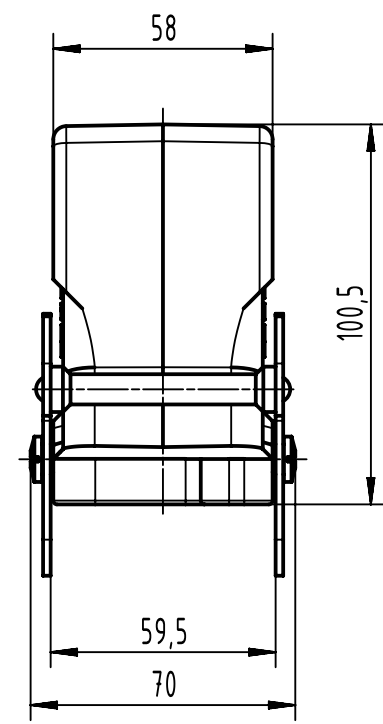
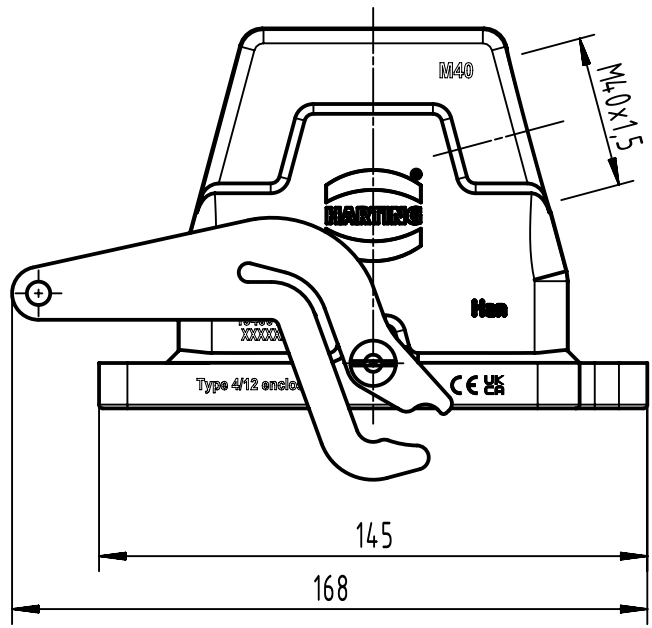
1 2 3 4 5 6

A

B

C

D



	All Dimensions in mm Original Size DIN A4		Scale 1:2	Free size tol.		Ref.		
						Sub.		
	All rights reserved		Created by HELLMANN	Inspected by 3236	Standardisation	Date 2023-10-09	State Final Release	
	Department EL PD		Title Han 10HPR-HSE-M40-Central Lever				Doc-Key / ECM-Nr. 100696117/UGD/004/E 500000253941	
HARTING D-32339 Espelkamp			Type TB	Number 19 40 010 0583			Rev. E	Page 1/1