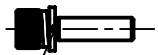
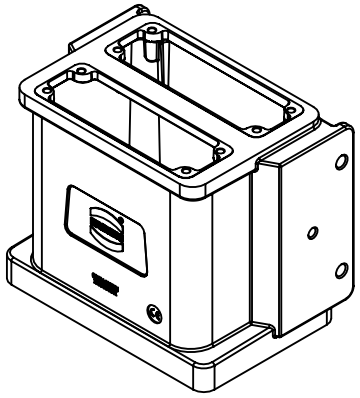


8x screw M6x25  
for housing



component enclosed  
separately



	All Dimensions in mm Original Size DIN A4		Scale 1:2	Free size tol.		Ref.	
						Sub.	
	All rights reserved		Created by 406869	Inspected by DINGB	Standardisation ROEBEN	Date 2023-10-16	
	Department EL PD					State Final Release	
HARTING			Title Han 48HPR-HSMA-PYD 1to2			Doc-Key / ECM-Nr. 100932419/UGD/001/D 500000255617	
D-32339 Espelkamp			Type TB	Number 09 40 148 0951			
						Rev. D	Page 1/1