

Wall mounting socket outlet fused - housing dimensions 225x118 with residual current circuit breaker



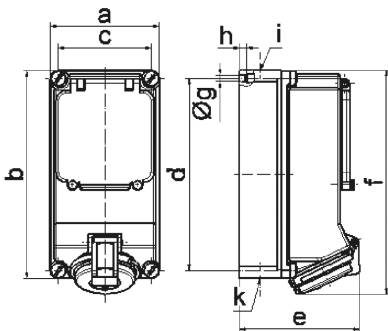
| Product description | |
|---------------------------|---|
| BALS-Prd.-Nr | 15077 |
| EAN | 4024941150774 |
| Product category | QUICK-CONNECT TE wall mounting socket outlet, fused |
| Current | 32A |
| Number of poles | 5p |
| Arrangement of phases | 3p+N+PE |
| Position of earth contact | 6 h |
| Voltage | 200/346 - 240/415V~ |

| Product description | |
|------------------------|--|
| Frequency | 50/60Hz |
| Protection degree | IP44 |
| Colour code | red RAL 3000 |
| Colour of appliance | Operating window smoky topaz, Hinged lid red RAL 3000, Housing screws grey RAL 7035, Housing bottom grey RAL 7035, Housing top grey RAL 7035 |
| Connection design | screwless spring terminals with KONTEX-contact |
| Maximum conductor size | 10,0 qmm |
| Cable entry | top entry M25/M25 bottom entry M25 |
| Height | 251mm |
| Width | 118mm |
| Depth | 141mm |
| Dimension of enclosure | 225x118 mm (HxW) |
| Material of enclosure | Polycarbonate |
| Contacts | the contact carrier is made of polyamide, the contacts are brass nickel plated |

| Additional technical properties | |
|---------------------------------|--|
| | The cable entry is one at top open, one at top is closed, and two at bottom are closed |
| | With 4 pole 40/0.03A RCCB |

| Logistics data | |
|----------------|-----------------|
| Weight/pcs | 1.27 kg / Piece |

| Logistics data | |
|----------------|---------------|
| Packaging | Carton |
| Content amount | 1 ST |
| EAN | 4024941150774 |
| Length | 275 mm |
| Width | 175 mm |
| Height | 137 mm |
| Weight | 1.395 kg |
| Volume | 5,737.5 ccm |



14 MB 13

| Ampere | 16 | 16 | 32 | 32 | 32 |
|---------|---------|---------|---------|---------|---------|
| Polzahl | 4 | 5 | 3 | 4 | 5 |
| a | 118,0 | 118,0 | 118,0 | 118,0 | 118,0 |
| b | 225,0 | 225,0 | 225,0 | 225,0 | 225,0 |
| c | 101,0 | 101,0 | 101,0 | 101,0 | 101,0 |
| d | 208,0 | 208,0 | 208,0 | 208,0 | 208,0 |
| e | 123,0 | 130,0 | 134,0 | 134,0 | 141,0 |
| f | 242,0 | 242,0 | 250,0 | 250,0 | 250,0 |
| g | 6,5 | 6,5 | 6,5 | 6,5 | 6,5 |
| h ø | 8,0 | 8,0 | 8,0 | 8,0 | 8,0 |
| i | 2 x M25 | 2 x M25 | 2 x M25 | 2 x M25 | 2 x M25 |
| k | 2 x M25 | 2 x M25 | 2 x M25 | 2 x M25 | 2 x M25 |
| | | | | | |
| | | | | | |