

Wall mounting socket outlet - with external fixing



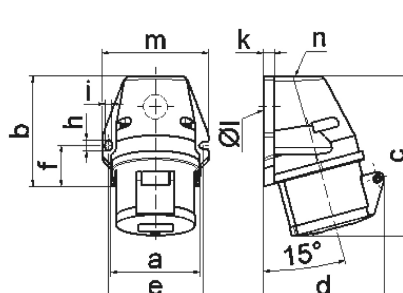
Product description	
BALS-Prd.-Nr	11918
EAN	4024941119184
Product category	Wall mounting socket outlet QUICK-CONNECT
Current	32A
Number of poles	3p
Arrangement of phases	2P+PE
Position of earth contact	4 h
Voltage	100 - 130V~
Frequency	50/60Hz

Product description	
Protection degree	IP44
Colour code	yellow RAL 1012
Colour of appliance	Collar yellow RAL 1012, Hinged lid yellow RAL 1012, Housing bottom grey RAL 7035, Housing top grey RAL 7035
Connection design	screwless spring terminals with KONTEX-contact
Maximum conductor size	10,0 qmm
Cable entry	top entry M25
Height	143mm
Width	94mm
Depth	103mm
Dimension of enclosure	92x94 mm (HxW)
Material of enclosure	Polyamide
Contacts	the contact carrier is made of polyamide, the contacts are brass

Additional technical properties	
	The cable entry is one at top open and one at bottom closed

Logistics data	
Weight/pcs	0.257 kg / Piece
Packaging	Bag
Content amount	1 ST

Logistics data	
EAN	4024941119184
Length	103 mm
Width	94 mm
Height	143 mm
Weight	0.258 kg
Volume	1,384.526 ccm
Packaging	Carton
Content amount	10 ST
EAN	4024941820134
Length	325 mm
Width	217 mm
Height	210 mm
Weight	2.776 kg
Volume	13,588.4 ccm



1 MB 19

Ampere Polzahl	16 3	16 4	16 5	32 3	32 4	32 5
a	59,5	72,4	72,4	79,1	79,1	79,1
b	90,0	90,0	90,0	92,0	92,0	92,0
c	130,0	130,0	131,0	142,0	142,0	142,0
d	85,0	96,0	98,0	103,0	103,0	106,0
e	62,0	77,0	77,0	84,0	84,0	84,0
f	33,5	33,5	33,5	30,0	30,0	30,0
h	9,0	9,0	9,0	9,0	9,0	9,0
i	5,5	5,5	5,5	5,5	5,5	5,5
k	8,0	9,0	9,0	9,0	9,0	9,0
l ø	21,0	21,0	21,0	21,0	21,0	21,0
m	72,0	87,0	87,0	94,0	94,0	94,0
n	M20	M25	M25	M25	M25	M25
Leiter mm ² min	1,5	1,5	1,5	2,5	2,5	2,5
Leiter mm ² max	4	4	4	10	10	10