

Connector - with TE screw terminals for harsh applications



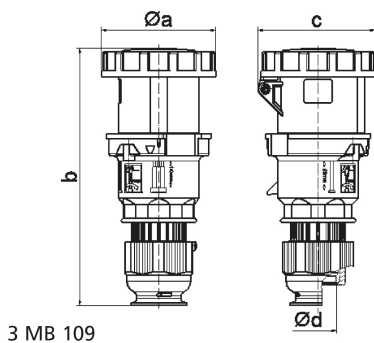
Product description	
BALS-Prd.-Nr	3187
EAN	4024941031875
Product category	TE connector
Current	63A
Number of poles	5p
Arrangement of phases	3p+N+PE
Position of earth contact	4 h
Voltage	57/100 - 75/130V~

Product description	
Frequency	50/60Hz
Protection degree	IP67
Colour code	yellow RAL 1012
Colour of appliance	Hinged lid yellow RAL 1012, Bayonet ring grey RAL 7035, Housing cover grey RAL 7035, Cable gland grey RAL 7035, Collar grey RAL 7035
Connection design	screw terminal as box terminal with Kontex-contact
Maximum conductor size	16,0 qmm
Cable entry	with cable gland
Height	251mm
Width	110mm
Depth	115mm
Material of enclosure	Polyamide
Contacts	the contact carrier is made of high temperature resistant material, the contacts are brass nickel plated

Additional technical properties	
	For cable diameter from 16 up to max. 36 mm, Screwless housing connection, MULTI-GRIP cable gland with gasket, integrated cable clamp and additional water evacuation openings

Logistics data	
Weight/pcs	0.75 kg / Piece
Packaging	Bag

Logistics data	
Content amount	1 ST
EAN	4024941031875
Length	115 mm
Width	110 mm
Height	251 mm
Weight	0.751 kg
Packaging	Carton
Content amount	5 ST
EAN	4024941835299
Length	325 mm
Width	217 mm
Height	210 mm
Weight	3.952 kg
Volume	13,588.4 ccm



Ampere	63	63	63				
Polzahl	3	4	5				
a ø	110,0	110,0	110,0				
b	251,0	251,0	251,0				
c	113,0	113,0	113,0				
d ø	36,0	36,0	36,0				
Leiter mm ² min	6	6	6				
Leiter mm ² max	16	16	16				