

## Panel mounting socket outlet - TN - flange 75x75 fixing centers 60x60

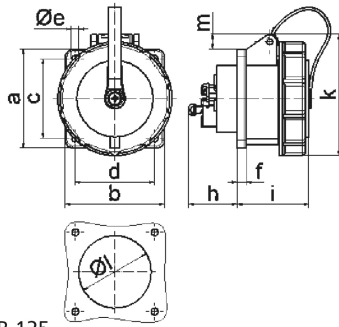


Product description	
BALS-Prd.-Nr	13184
EAN	4024941131841
Product category	TN panel mounting socket outlet QUICK-CONNECT, straight
Current	32A
Number of poles	5p
Arrangement of phases	3p+N+PE
Position of earth contact	11 h
Voltage	250/440 - 265/460V~

Product description	
Frequency	60Hz
VG-type-no.:	VG 96919 AS 007
Protection degree	IP67
Colour code	bronze-green RAL 6031-F9
Colour of appliance	Bayonet ring bronze-green RAL 6031-F9, Hinged lid bronze-green RAL 6031-F9, Enclosure bronze-green RAL 6031-F9, Enclosure grey RAL 7035
Connection design	screwless spring terminals with KONTEX-contact
Maximum conductor size	10,0 qmm
Cable entry	other
Height	106mm
Width	101.5mm
Depth	113mm
Flange size vertical in mm	75mm
Flange size horizontal in mm	75mm
Drill hole dist. vertical mm	60mm
Drill hole dist. horizontal mm	60mm
Material of enclosure	Polyamide
Contacts	the contact carrier is made of high temperature resistant material, the contacts are brass nickel plated

Additional technical properties	
	With bayonet cover on strap

Logistics data	
Weight/pcs	0.296 kg / Piece
Packaging	Bag
Content amount	1 ST
EAN	4024941131841
Length	113 mm
Width	101.5 mm
Height	106 mm
Weight	0.297 kg
Volume	1,215.767 ccm
Packaging	Carton
Content amount	10 ST
EAN	4024941838238
Length	122 mm
Width	222 mm
Height	538 mm
Weight	3.298 kg
Volume	14,332.32 ccm



4 MB 125

Ampere Polzahl	16 3	16 4	16 5	32 3	32 4	32 5
a	75,0	75,0	75,0	75,0	75,0	75,0
b	75,0	75,0	75,0	75,0	75,0	75,0
c	60,0	60,0	60,0	60,0	60,0	60,0
d	60,0	60,0	60,0	60,0	60,0	60,0
e ø	5,5	5,5	5,5	5,5	5,5	5,5
f	7,0	7,0	7,0	8,0	8,0	8,0
h	35,0	35,0	35,0	50,0	50,0	50,0
i	57,0	57,0	57,0	69,0	69,0	69,0
k	77,0	83,0	93,0	98,0	98,0	107,0
l ø	45,0	75,0	55,0	60,0	60,0	60,0
m	4,0	7,0	12,0	12,0	12,0	17,0
Leiter mm <sup>2</sup> min	1,5	1,5	1,5	2,5	2,5	2,5
Leiter mm <sup>2</sup> max	4,0	4,0	4,0	10,0	10,0	10,0