

## Panel mounting socket outlet straight - flange 75x75 fixing centers 60x60

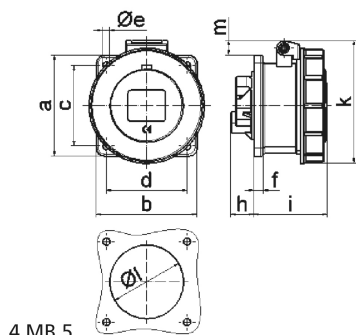


Product description	
BALS-Prd.-Nr	1380
EAN	4024941013802
Product category	Panel mounting socket outlet, straight
Current	16A
Number of poles	5p
Arrangement of phases	3p+N+PE
Position of earth contact	4 h
Voltage	57/100 - 75/130V~

Product description	
Frequency	50/60Hz
Protection degree	IP67
Colour code	yellow RAL 1012
Colour of appliance	Hinged lid yellow RAL 1012, Bayonet ring grey RAL 7035, Enclosure grey RAL 7035
Connection design	with screw terminal
Maximum conductor size	4,0 qmm
Cable entry	other
Height	92mm
Width	86mm
Depth	72mm
Flange size vertical in mm	75mm
Flange size horizontal in mm	75mm
Drill hole dist. vertical mm	60mm
Drill hole dist. horizontal mm	60mm
Material of enclosure	Polyamide
Contacts	the contact carrier is made of polyamide, the contacts are brass

Logistics data	
Weight/pcs	0.185 kg / Piece
Packaging	Bag
Content amount	1 ST

Logistics data	
EAN	4024941013802
Length	72 mm
Width	86 mm
Height	92 mm
Weight	0.186 kg
Volume	569.664 ccm
Packaging	Carton
Content amount	10 ST
EAN	4024941841252
Length	245 mm
Width	177 mm
Height	185 mm
Weight	1.983 kg
Volume	7,140 ccm



Ampere Polzahl	16 3	16 4	16 5	32 3	32 4	32 5
a	75,0	75,0	75,0	75,0	75,0	75,0
b	75,0	75,0	75,0	75,0	75,0	75,0
c	60,0	60,0	60,0	60,0	60,0	60,0
d	60,0	60,0	60,0	60,0	60,0	60,0
e ø	5,5	5,5	5,5	5,5	5,5	5,5
f	7,0	7,0	7,0	8,0	8,0	8,0
h	17,0	26,0	17,0	36,0	36,0	19,0
i	57,0	58,0	57,0	65,0	65,0	65,0
k	76,0	83,0	93,0	100,0	100,0	106,0
l ø	45,0	45,0	55,0	60,0	60,0	60,0
m	3,5	7,0	11,5	12,0	12,0	17,0
Leiter mm <sup>2</sup> min	1,5	1,5	1,5	2,5	2,5	2,5
Leiter mm <sup>2</sup> max	4	4	4	10	10	10