

Panel mounting socket outlet straight - flange 72x65 fixing centers 52x52

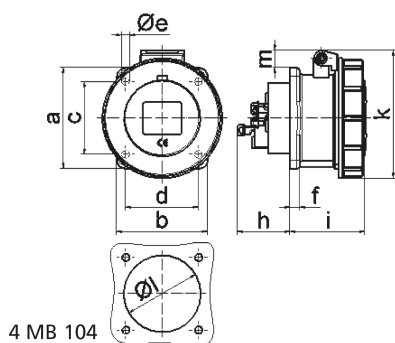


Product description	
BALS-Prd.-Nr	13725
EAN	4024941137256
Product category	Panel mounting socket outlet QUICK-CONNECT, straight
Current	16A
Number of poles	4p
Arrangement of phases	3P+PE
Position of earth contact	9 h
Voltage	200 - 250V~

Product description	
Frequency	50/60Hz
Protection degree	IP67
Colour code	blue RAL 5015
Colour of appliance	Hinged lid blue RAL 5015, Bayonet ring grey RAL 7035, Enclosure grey RAL 7035
Connection design	screwless spring terminals with KONTEX-contact
Maximum conductor size	4,0 qmm
Cable entry	other
Height	84mm
Width	79mm
Depth	91mm
Flange size vertical in mm	72mm
Flange size horizontal in mm	65mm
Drill hole dist. vertical mm	52mm
Drill hole dist. horizontal mm	52mm
Material of enclosure	Polyamide
Contacts	the contact carrier is made of polyamide, the contacts are brass

Logistics data	
Weight/pcs	0.0 kg / Piece
Packaging	Bag
Content amount	1 ST

Logistics data	
EAN	4024941137256
Length	91 mm
Width	79 mm
Height	84 mm
Weight	0.001 kg
Volume	603.876 ccm
Packaging	Carton
Content amount	10 ST
EAN	4024941830072
Length	245 mm
Width	177 mm
Height	185 mm
Weight	0.133 kg
Volume	7,140 ccm



Ampere Polzahl	16 3	16 4	16 5
a	62,0	72,0	72,0
b	62,0	65,0	65,0
c	47,0	52,0	52,0
d	47,0	52,0	52,0
e ø	5,5	5,5	5,5
f	7,0	7,0	7,0
h	35,5	35,5	35,5
i	57,0	58,0	57,0
k	76,0	83,0	93,0
l ø	45,0	45,0	55,0
m	10,0	9,0	13,0
Leiter mm ² min	1,5	1,5	1,5
Leiter mm ² max	4	4	4