

Panel mounting socket outlet straight - flange 62x62 fixing centers 47x47

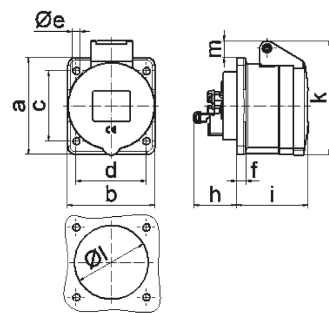


Product description	
BALS-Prd.-Nr	13667
EAN	4024941136679
Product category	Panel mounting socket outlet QUICK-CONNECT, straight
Current	16A
Number of poles	3p
Arrangement of phases	2P+PE
Position of earth contact	4 h
Voltage	100 - 130V~

Product description	
Frequency	50/60Hz
Protection degree	IP44
Colour code	yellow RAL 1012
Colour of appliance	Hinged lid yellow RAL 1012, Enclosure grey RAL 7035
Connection design	screwless spring terminals with KONTEX-contact
Maximum conductor size	4,0 qmm
Cable entry	other
Height	70mm
Width	62mm
Depth	86mm
Flange size vertical in mm	62mm
Flange size horizontal in mm	62mm
Drill hole dist. vertical mm	47mm
Drill hole dist. horizontal mm	47mm
Material of enclosure	Polyamide
Contacts	the contact carrier is made of polyamide, the contacts are brass

Logistics data	
Weight/pcs	0.104 kg / Piece
Packaging	Bag
Content amount	1 ST

Logistics data	
EAN	4024941136679
Length	86 mm
Width	62 mm
Height	70 mm
Weight	0.105 kg
Volume	373.24 ccm
Packaging	Carton
Content amount	10 ST
EAN	4024941828956
Length	248 mm
Width	158 mm
Height	123 mm
Weight	1.137 kg
Volume	3,960 ccm



4 MB 100

Ampere	16	16	16				
Polzahl	3	4	5				
a	62,0	72,0	72,0				
b	62,0	65,0	65,0				
c	47,0	52,0	52,0				
d	47,0	52,0	52,0				
e ø	5,5	5,5	5,5				
f	7,0	7,0	7,0				
h	35,5	35,5	35,5				
i	51,0	53,0	53,0				
k	70,0	80,0	85,0				
ø	45,0	45,0	55,0				
m	10,0	9,0	13,0				
Leiter mm ² min	1,5	1,5	1,5				
Leiter mm ² max	4	4	4				

Abbildung ähnlich - similar picture