

Panel mounting socket outlet angled - flange 85x85 fixing centers 70x70

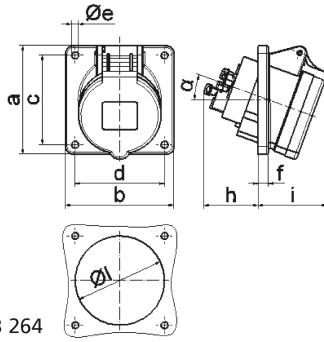


Product description	
BALS-Prd.-Nr	12770
EAN	4024941127707
Product category	Panel mounting socket outlet QUICK-CONNECT, angled
Current	32A
Number of poles	5p
Arrangement of phases	3p+N+PE
Position of earth contact	10 h
Voltage	> 50V~

Product description	
Frequency	100 - 300Hz
Protection degree	IP44
Colour code	green RAL 6002
Colour of appliance	Hinged lid green RAL 6002, Enclosure grey RAL 7035
Connection design	screwless spring terminals with KONTEX-contact
Maximum conductor size	10,0 qmm
Cable entry	other
Height	102mm
Width	85mm
Depth	119mm
Flange size vertical in mm	85mm
Flange size horizontal in mm	85mm
Drill hole dist. vertical mm	70mm
Drill hole dist. horizontal mm	70mm
Material of enclosure	Polyamide
Contacts	the contact carrier is made of polyamide, the contacts are brass

Additional technical properties	
	The inclination is 20°

Logistics data	
Weight/pcs	0.235 kg / Piece
Packaging	Bag
Content amount	1 ST
EAN	4024941127707
Length	119 mm
Width	85 mm
Height	102 mm
Weight	0.236 kg
Volume	1,190.135 ccm
Packaging	Carton
Content amount	10 ST
EAN	4024941829519
Length	258 mm
Width	183 mm
Height	212 mm
Weight	2.499 kg
Volume	8,750 ccm



4 MB 264

Ampere	16	16	16	32	32	32
Polzahl	3	4	5	3	4	5
a	85,0	85,0	85,0	85,0	85,0	85,0
b	85,0	85,0	85,0	85,0	85,0	85,0
c	70,0	70,0	70,0	70,0	70,0	70,0
d	70,0	70,0	70,0	70,0	70,0	70,0
e ø	5,5	5,5	5,5	5,5	5,5	5,5
f	8,0	8,0	8,0	8,0	8,0	8,0
h	46,0	46,0	46,0	55,0	55,0	55,0
i	50,0	51,0	54,0	60,0	60,0	60,0
l ø	57,0	65,0	70,0	78,0	78,0	78,0
α	20°	20°	20°	20°	20°	20°
Leiter mm ² min	1,5	1,5	1,5	2,5	2,5	2,5
Leiter mm ² max	4	4	4	10	10	10