

Panel mounting socket outlet angled - flange 85x85 fixing centers 70x70

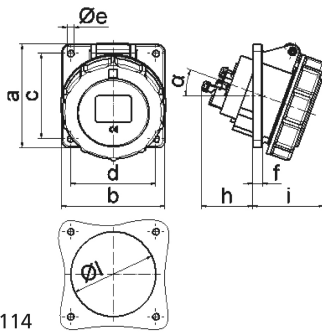


| Product description | |
|---------------------------|----------------------------------------------------|
| BALS-Prd.-Nr | 12822 |
| EAN | 4024941128223 |
| Product category | Panel mounting socket outlet QUICK-CONNECT, angled |
| Current | 32A |
| Number of poles | 5p |
| Arrangement of phases | 3p+N+PE |
| Position of earth contact | 4 h |
| Voltage | 57/100 - 75/130V~ |

| Product description | |
|--------------------------------|---------------------------------------------------------------------------------|
| Frequency | 50/60Hz |
| Protection degree | IP67 |
| Colour code | yellow RAL 1012 |
| Colour of appliance | Hinged lid yellow RAL 1012, Bayonet ring grey RAL 7035, Enclosure grey RAL 7035 |
| Connection design | screwless spring terminals with KONTEX-contact |
| Maximum conductor size | 10,0 qmm |
| Cable entry | other |
| Height | 111mm |
| Width | 102mm |
| Depth | 123mm |
| Flange size vertical in mm | 85mm |
| Flange size horizontal in mm | 85mm |
| Drill hole dist. vertical mm | 70mm |
| Drill hole dist. horizontal mm | 70mm |
| Material of enclosure | Polyamide |
| Contacts | the contact carrier is made of polyamide, the contacts are brass |

| Additional technical properties | |
|---------------------------------|------------------------|
| | The inclination is 20° |

| Logistics data | |
|----------------|-----------------|
| Weight/pcs | 0.31 kg / Piece |
| Packaging | Bag |
| Content amount | 1 ST |
| EAN | 4024941128223 |
| Length | 123 mm |
| Width | 102 mm |
| Height | 111 mm |
| Weight | 0.311 kg |
| Volume | 1,392.606 ccm |
| Packaging | Carton |
| Content amount | 10 ST |
| EAN | 4024941830492 |
| Length | 122 mm |
| Width | 222 mm |
| Height | 538 mm |
| Weight | 3.438 kg |
| Volume | 14,332.32 ccm |



4 MB 114

| Ampere | 16 | 16 | 16 | 32 | 32 | 32 |
|----------------|------|------|------|------|------|------|
| Polzahl | 3 | 4 | 5 | 3 | 4 | 5 |
| a | 85,0 | 85,0 | 85,0 | 85,0 | 85,0 | 85,0 |
| b | 85,0 | 85,0 | 85,0 | 85,0 | 85,0 | 85,0 |
| c | 70,0 | 70,0 | 70,0 | 70,0 | 70,0 | 70,0 |
| d | 70,0 | 70,0 | 70,0 | 70,0 | 70,0 | 70,0 |
| e ø | 5,5 | 5,5 | 5,5 | 5,5 | 5,5 | 5,5 |
| f | 8,0 | 8,0 | 8,0 | 8,0 | 8,0 | 8,0 |
| h | 46,0 | 46,0 | 46,0 | 55,0 | 55,0 | 55,0 |
| i | 57,0 | 57,0 | 60,0 | 65,0 | 65,0 | 69,0 |
| l ø | 57,0 | 65,0 | 70,0 | 78,0 | 78,0 | 78,0 |
| α | 20° | 20° | 20° | 20° | 20° | 20° |
| Leiter mm² min | 1,5 | 1,5 | 1,5 | 2,5 | 2,5 | 2,5 |
| Leiter mm² max | 4 | 4 | 4 | 10 | 10 | 10 |